

REVISIONS		
ISS	ZONE	DESCRIPTION/PER REQUEST/DATE

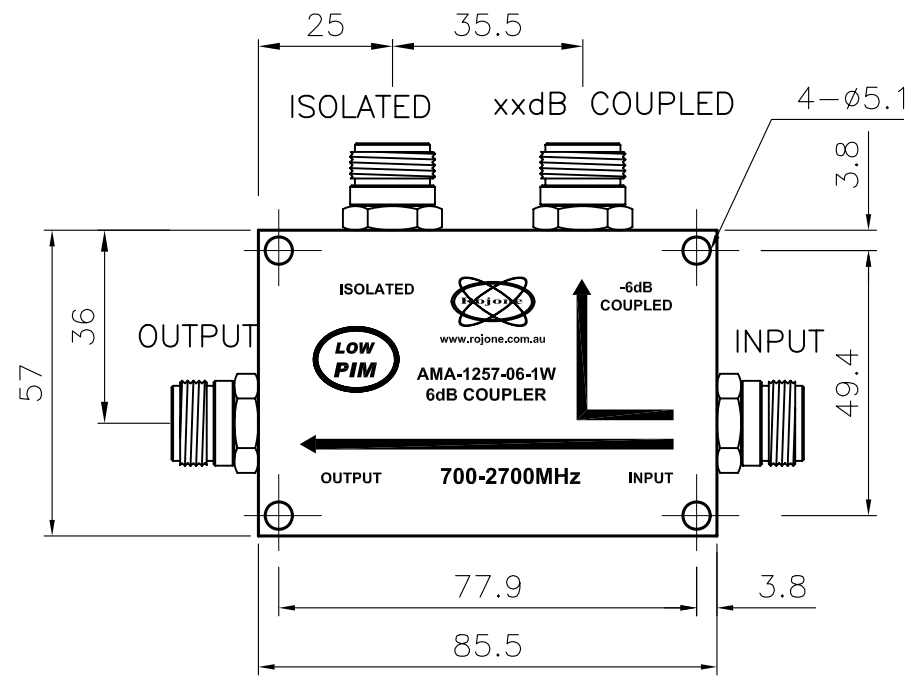
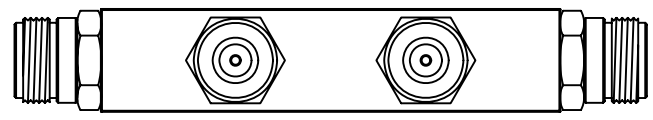
3rd ANGLE PROJECTION THIS DOCUMENT AND THE DESIGN SHOWN THEREON IS THE PROPERTY OF ROJONE PTY LTD AND MUST NOT BE SOLD, LENT, GIVEN AWAY, COPIED, REPRODUCED OR OTHERWISE DIVULGED TO ANY THIRD PARTY OR USED FOR MANUFACTURE, OR ANY OTHER PURPOSE WITHOUT DIRECT WRITTEN PERMISSION OF ROJONE PTY LTD.

DO NOT SCALE

SPECIFICATIONS for AMA-1257-XX-1W

- Coupling Value:** 3, 4.8, 6, 8, 10, 13, 15 dB std.
- Frequency Range:** 700 to 2700 MHz
- Directivity:** > 20 dB
- Return Loss:** < -20 dB all ports
- Coupling Flatness:** +/- 0.5 dB
- Impedance:** 50 Ohms
- IM:** < -140 dBc @ 43dBm x 2
-155dBc Typ
- RF Input Power:** 200 Watts
- Connector Type:** N - F (Low IM Plated)
- Environmental Class:** IP 65
- Package Size:** 86 x 57 x 19 mm excl. conn.
- Weight:** 300 g

REVISION	DATE	CHECKED
A	31-03-2010	H. JIA



Coupling Value:	Through Loss (typ.):
3dB	3.17dB
4.8dB	1.90dB
6dB	1.41dB
7dB	1.12dB
8dB	0.90dB
9dB	0.73dB
10dB	0.61dB
12dB	0.43dB
13dB	0.37dB
15dB	0.29dB
18dB	0.22dB
20dB	0.19dB
30dB	0.15dB

NOTES:

- 1/ ROJONE PART No. DESIGNATION AMA-1257-XX-1W
COUPLING VALUE
- 2/ UNUSED PORTS MUST BE TERMINATED. COUPLER SUPPLIED WITH 1W LOAD ON ISOLATED PORT (HIGHER POWER LOADS AVAILABLE).
- 3/ COUPLERS ARE DESIGNED FOR LOW INTERMODULATION OPERATION.
- 4/ PRODUCTS ARE RoHS COMPLIANT.

	ROJONE PTY LTD ACN 002691241 81 AERO RD INGLEBURN 2565 SYDNEY, AUSTRALIA Ph: (612) 9829 1555 Fax: (612) 9605 8812 Web: www.rojone.com.au E-mail: sales@rojone.com.au	TITLE 700-2700MHz COUPLER AMA-1257 INTERFACE DRAWING (N-TYPE)	
	MATERIAL ALUMINIUM &/OR BRASS HOUSING & COVER	DRAWN Y. GU CHECKED H. JIA APPROVED B. G.	DRWG No: 001001450174 SCALE 1:1 SHEET 1 OF 1 FILENAME 001001450174ISSA.DWG
FINISH POLYURETHANE AS2700 N42 STORM GREY	REMOVE ALL BURRS AND SHARP EDGES		

A3