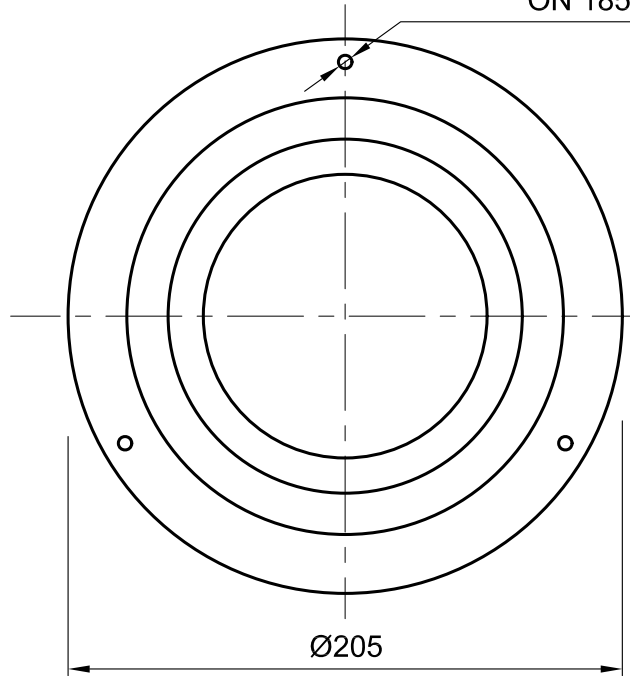


3rd ANGLE PROJECTION

THIS DOCUMENT AND THE DESIGN SHOWN THEREON IS THE PROPERTY OF ROJONE PTY LTD AND MUST NOT BE SOLD, LENT, GIVEN AWAY, COPIED, REPRODUCED OR OTHERWISE DIVULGED TO ANY THIRD PARTY OR USED FOR MANUFACTURE, OR ANY OTHER PURPOSE WITHOUT DIRECT WRITTEN PERMISSION OF ROJONE PTY LTD.

DO NOT SCALE

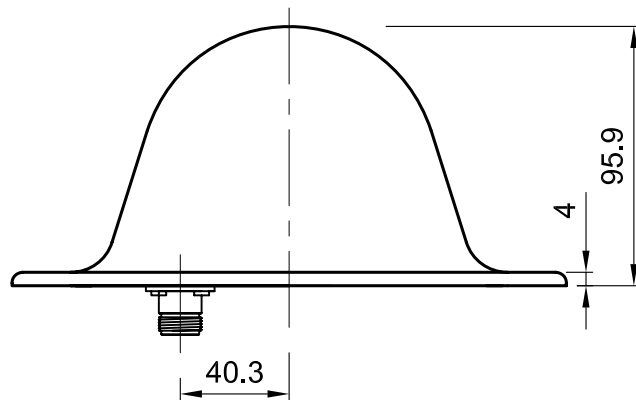
3-Ø5 THRU  
EVEN SPACED  
ON 185 P.C.D.




**LOW  
PIM**

**700-2700MHz WIDE-BAND LOW IM ANTENNA**

SPECIFICATION	Omni Antenna AI-467-O	Directional Antenna AI-467-D
FREQ. RANGE:	700-2700MHz	700-2700MHz
POWER GAIN:	3~6.5 dBi Nominal	6~9 dBi Nominal
VSWR:	<2:1	2:1 Max
PIM (IM3):	<-150dBc@43dBmX2	<-150 dBc@43dBmX2
HORIZONTAL 3dB BW:	360°	90°
VERTICAL 3dB BW:	75°	40°
RATED INPUT RF POWER:	100W MAX.	100W MAX.
POLARISATION:	LINEAR	LINEAR
RADIATION:	OMNI	DIRECTIONAL
IMPEDANCE:	50 Ohm	50 Ohm
OPERATING TEMP. RANGE:	- 40 ~ + 85°C	- 40 ~ + 85°C
HUMIDITY:	< 90%	< 90%
CONNECTOR:	N-F	N-F
WEIGHT:	300 g MAX	300 g MAX



UNLESS OTHERWISE STATED ALL DIMENSIONS ARE IN MILLIMETRES (mm) TOLERANCE: LINEAR ±0.1 ANGULAR ±1° REMOVE ALL BURRS AND SHARP EDGES

	ROJONE PTY LTD ACN 002691241 61 AERO RD INGLEBURN 2565 SYDNEY, AUSTRALIA Ph: (612) 9829 1555 Fax: (612) 9605 8812 Web: www.rojone.com.au E-mail: sales@rojone.com.au		TITLE 700-2700MHz WIDE BAND ANTENNA AI-467 LOW IM SERIES INTERFACE	
	MATERIAL PLASTIC RADOME		DRWG No: 009001003034	
FINISH N/A		DRAWN Y. GU	CHECKED H. JIA	SCALE 1:2 SHEET 1 OF 1
		APPROVED	FILENAME 009001003034ISSA.DWG	

REVISION	DATE	CHECKED
A	21-04-2010	H. JIA

A4