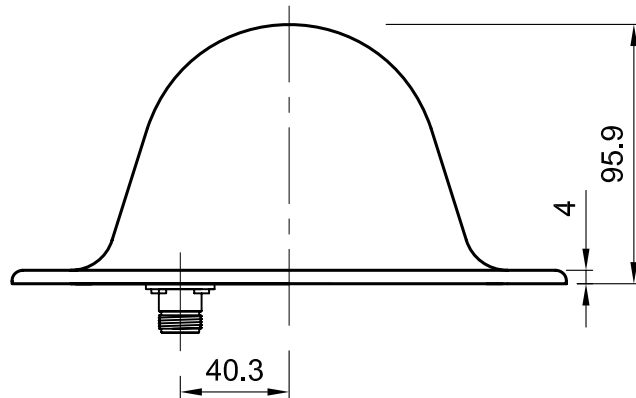
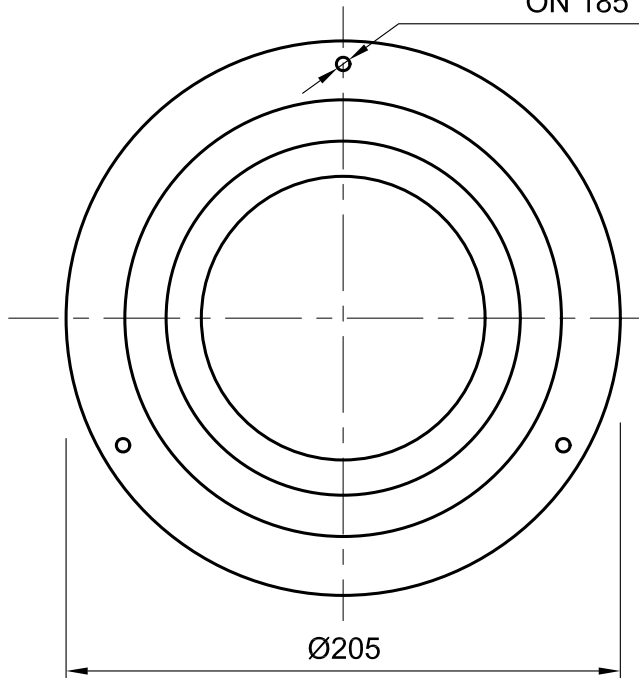


3rd ANGLE PROJECTION

THIS DOCUMENT AND THE DESIGN SHOWN THEREON IS THE PROPERTY OF ROJONE PTY LTD AND MUST NOT BE SOLD, LENT, GIVEN AWAY, COPIED, REPRODUCED OR OTHERWISE DIVULGED TO ANY THIRD PARTY OR USED FOR MANUFACTURE, OR ANY OTHER PURPOSE WITHOUT DIRECT WRITTEN PERMISSION OF ROJONE PTY LTD.

DO NOT SCALE

3-Ø5 THRU
EVEN SPACED
ON 185 P.C.D.



700-2700MHz WIDE-BAND MICROCELL ANTENNA

SPECIFICATION	Omni Antenna A-467-O	Directional Antenna A-467-D
FREQ. RANGE:	700-2700MHz	700-2700MHz
POWER GAIN:	3~6.5 dBi Nominal	6~9 dBi Nominal
VSWR:	<2:1	2:1 Max
PIM (IM3):	<-140dBc@30dBmX2	<-140 dBc@30dBmX2
HORIZONTAL 3dB BW:	360°	90°
VERTICAL 3dB BW:	75°	40°
RATED INPUT RF POWER:	100W MAX.	100W MAX.
POLARISATION:	LINEAR	LINEAR
RADIATION:	OMNI	DIRECTIONAL
IMPEDANCE:	50 Ohm	50 Ohm
OPERATING TEMP. RANGE:	- 40 ~ + 85°C	- 40 ~ + 85°C
HUMIDITY:	< 90%	< 90%
CONNECTOR:	N-F	N-F
WEIGHT:	300 g MAX	300 g MAX

REVISION
DATE
CHECKED

A
22-04-2010
H. JIA



ROJONE PTY LTD ACN 002691241
61 AERO RD INGLEBURN 2565
SYDNEY, AUSTRALIA
Ph: (612) 9829 1555 Fax: (612) 9605 8812
Web: www.rojone.com.au E-mail: sales@rojone.com.au

TITLE
700-2700MHz WIDE BAND ANTENNA
A-467 SERIES INTERFACE

DRWG No: 009001003035

MATERIAL PLASTIC RADOME DRAWN Y. GU

FINISH N/A CHECKED H. JIA

APPROVED

SCALE 1:2 SHEET 1 OF 1

FILENAME 009001003035ISSA.DWG

A4

UNLESS OTHERWISE STATED ALL DIMENSIONS ARE IN MILLIMETRES (mm) TOLERANCE: LINEAR ±0.1 ANGULAR ±1° REMOVE ALL BURRS AND SHARP EDGES