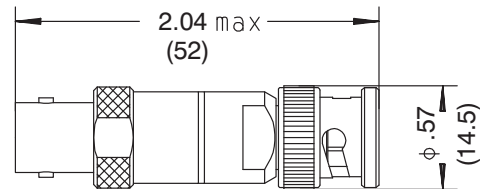


2 WATTS

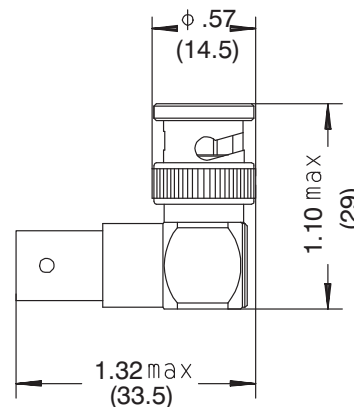
| Part Number | Power | Frequency range (GHz) | V.S.W.R. (MAX) | | Impedance (Ω) | Type | Obs | Weight (g) |
|--------------|----------|-----------------------|----------------|-------|------------------------|------|-----|------------|
| | peak (W) | | DC-0.5 | 0.5-1 | | | | |
| R405 005 000 | 1000 | DC-1 | 1.20 | 1.35 | 50 \pm 5% | M/F | 1 | 30 |
| R405 006 000 | 1000 | DC-1 | 1.20 | 1.35 | 75 \pm 5% | M/F | 1-2 | 30 |

OBS :1) VSWR on female input connector, the output connector is in open circuit.
2) 75 Ohms connector



| Part Number | Power | Frequency range (GHz) | V.S.W.R. (MAX) | | Impedance (Ω) | Type | Obs | Weight (g) |
|--------------|----------|-----------------------|----------------|-------|------------------------|------|-----|------------|
| | peak (W) | | DC-0.5 | 0.5-1 | | | | |
| R405 035 000 | 1000 | DC-1 | 1.35 | 1.50 | 50 \pm 5% | M/F | 1 | 21 |

OBS :1) VSWR on female input connector, the output connector is in open circuit.





Australian Representatives
ROJONE, PTY LTD.
Tel: 02 9829 1555
E: sales@rojone.com.au
www.rojone.com.au

Technical data sheet are available under the www.radiall.com Web site Select "Find a part number", enter the part number then "Search"