

2 WATTS

Part Number	Power		Frequency range (GHz)	V.S.W.R. (MAX)			Impedance (Ω)	Type	Weight (g)	Fig.
	avg. (W)	peak (W)		DC-2	1-2	2-4				
R404 170 111		500	DC-4	1.10	1.30		50 \pm 5%	M	120	1
R404 175 111		500	DC-4	1.10	1.30		50 \pm 5%	F	115	2

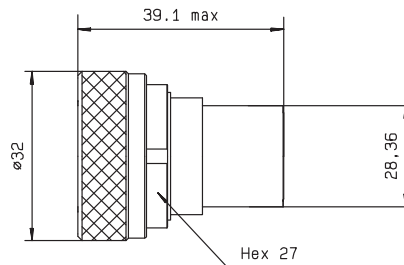


Fig. 1

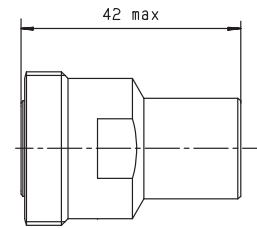


Fig. 2

12 - 25 WATTS MEDIUM POWER

Part Number	Power		Frequency range (GHz)	V.S.W.R. (MAX)			Impedance (Ω)	Type	Weight (g)	Fig.
	avg. (W)	peak (W)		DC-1	1-2	2-4				
R404 564 000	12	4000	DC-4	1.10	1.10	1.20	50 \pm 5%	M	170	1
R404 564 500	12	4000	DC-4	1.10	1.10	1.20	50 \pm 5%	F	165	2
R404 836 118	25	5000	DC-2	1.10	1.20		50 \pm 5%	M	210	3
R404 837 118	25	5000	DC-2	1.10	1.20		50 \pm 5%	F	205	4

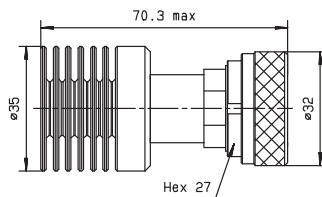


Fig. 1

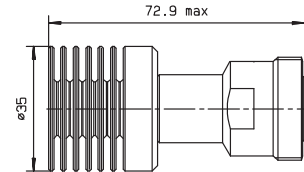


Fig. 2

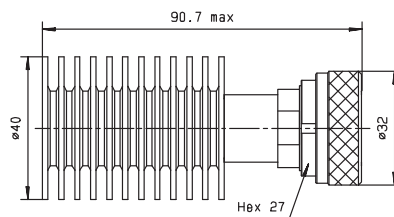


Fig. 3

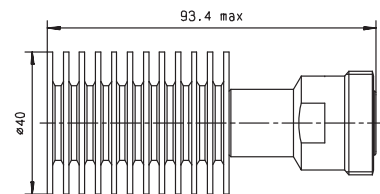
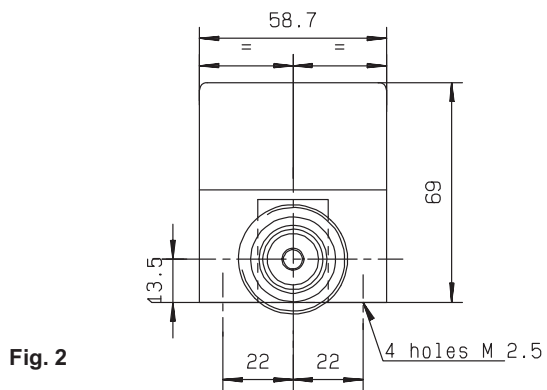
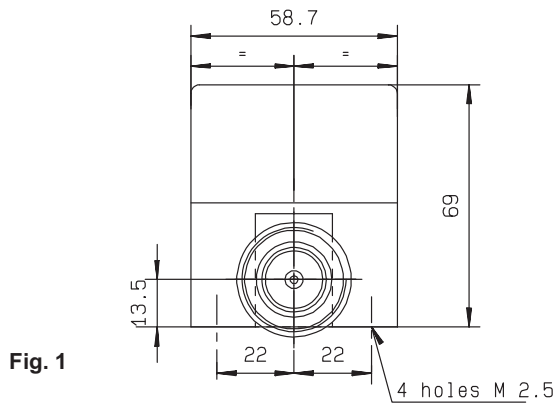


Fig. 4

Technical data sheet are available under the www.radiall.com Web site Select "Find a part number", enter the part number then "Search"

50 WATTS MEDIUM POWER

Part Number	Power	Frequency range (GHz)	V.S.W.R. (MAX)		Impedance (Ω)	Type	Weight (g)	Fig.
	peak (W)		DC-1	1-2				
R404 846 118	5000	DC-2	1.10	1.20	50 \pm 5%	M	380	1
R404 847 118	5000	DC-2	1.10	1.20	50 \pm 5%	F	375	2



Technical data sheet are available under the www.radiall.com Web site Select "Find a part number", enter the part number then "Search"

100 WATTS HIGH POWER

Part Number	Power peak (W)	Frequency range (GHz)	V.S.W.R. (MAX)		Impedance (Ω)	Type	Weight (g)	Fig.
			DC-1	1-2				
R404 856 118	5000	DC-2	1.10	1.20	50 \pm 5%	M	1050	1
R404 857 118	5000	DC-2	1.10	1.20	50 \pm 5%	F	1045	2

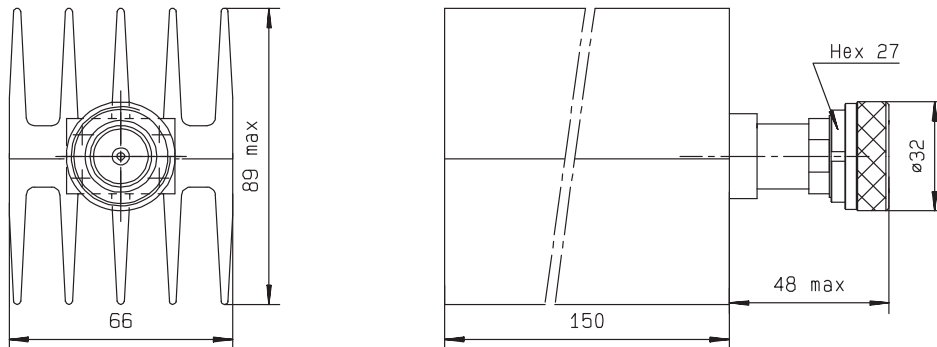


Fig. 1

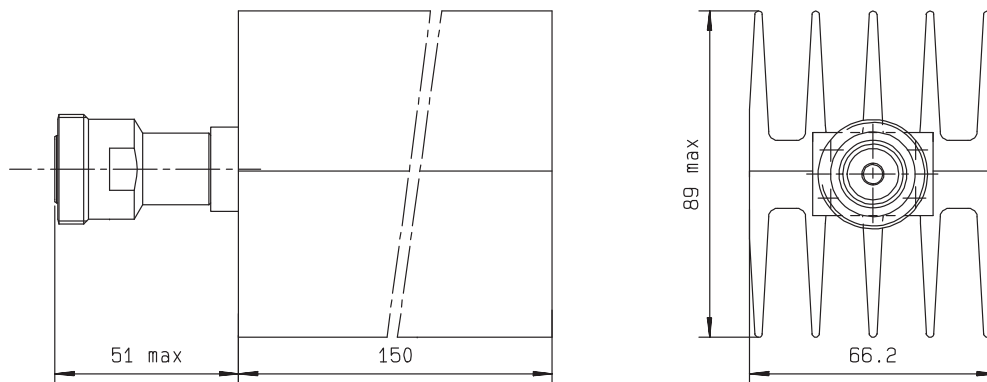


Fig. 2

Technical data sheet are available under the www.radiall.com Web site Select "Find a part number", enter the part number then "Search"