

SPECIFICATION for ROJ-074H-4-4-716

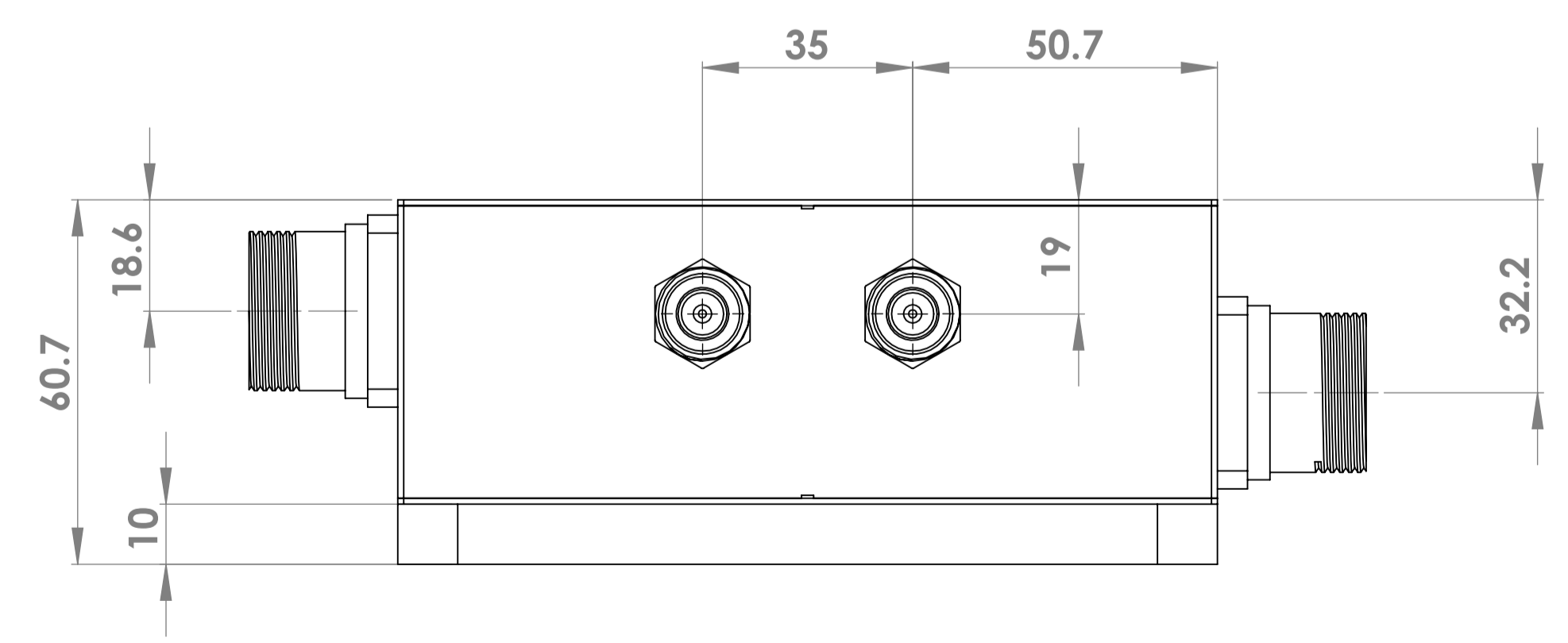
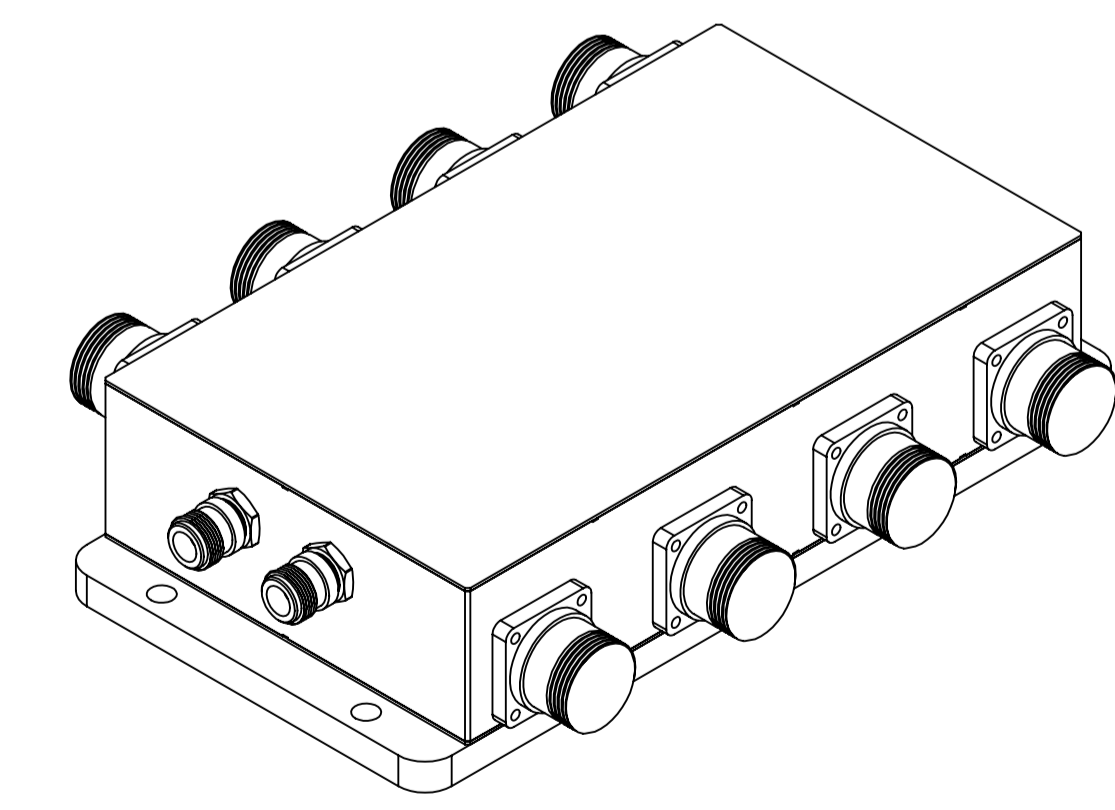
FREQ: 700-2700MHz
ISO: 20dB MIN. ADJACENT PORTS
 30dB MIN NON-ADJACENT
RTN LOSS: <-18dB TYP.
THRU LOSS: 6.5dB ±0.7dB MAX. TO 2.7GHz
POWER: 200W PER PORT
IMPEDANCE: 50 Ohms
IM3: <- 150dBc@43dBm x 2 (-160dBc Typ)
 with Low IM Termination
CONNECTOR: DIN 716 FEMALE
WEIGHT: ALUMINUM 3.5KG Approx.

Coupling Ports Spec

Coupling: -35 ± 1.5 dB

Note:

Monitored N ports are supplied terminated with low power loads R404131-750.



UNLESS OTHERWISE SPECIFIED: DIMENSIONS ARE IN MILLIMETERS SURFACE FINISH: 1.6 TOLERANCES: LINEAR: ±0.025 ANGULAR: ±1.1			FINISH:	DEBUR AND BREAK SHARP EDGES	DO NOT SCALE DRAWING	REVISION:
				www.rojone.com.au		
DRAWN:	NAME:	SIGNATURE:	DATE:	TITLE:		
CHK'D:	Y. Gu		2012-03-16	INTERFACE DRAWING FOR ROJ-074H-4-4-716		
APP'VD:				DWG NO. 001002250175issa		
MFG:				A1		
Q.A.				MATERIAL: ALUMINIUM ALLOY 6061 BODY		
				WEIGHT:		
				SCALE: 1:1		
				SHEET 1 OF 1		