

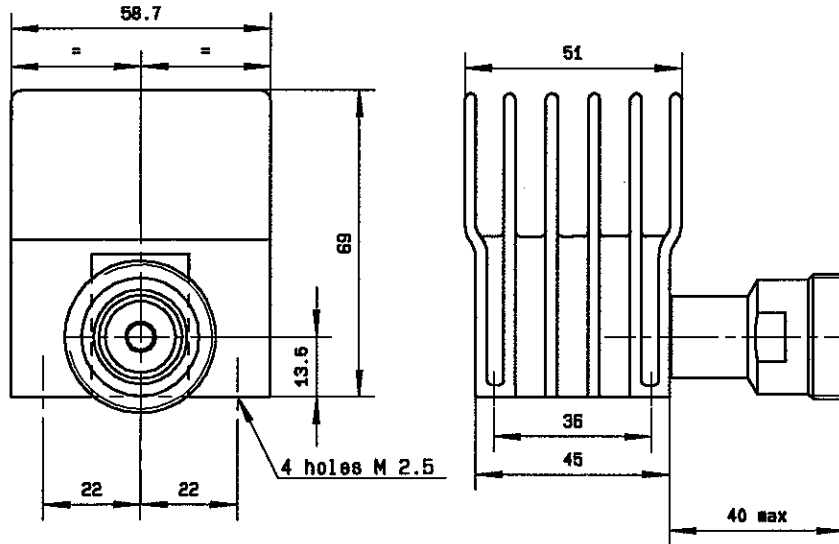


**DC- 2 GHz 7/16/female COAXIAL TERMINATION**

issue  
04.apr.96

Page  
1 / 1

**DRAWING**



**R F CHARACTERISTICS**

General tolerances: +/- 0.5 mm

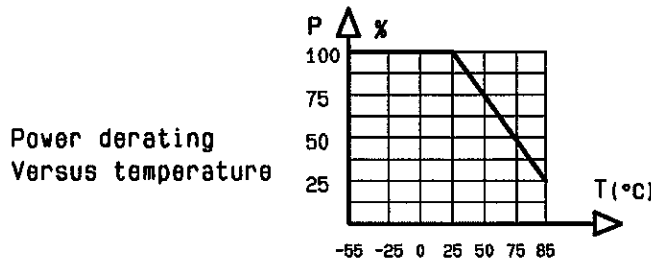
FREQUENCY RANGE	: DC - 2 GHz
IMPEDANCE	: 50 Ohms
DC RESISTANCE	: 50 Ohms ± 5 %
V.S.W.R : DC - 1 GHz	: ≤ 1.10
1 - 2 GHz	: ≤ 1.20
PEAK POWER at 25°C (1µs,1%.)	: 5 kW
AVERAGE POWER at 25°C	: 50 W

**MECHANICAL CHARACTERISTICS**

CONNECTORS	: 7/16female	per IEC 169-4
WEIGHT	: < 375 g	

**ENVIRONMENTAL CHARACTERISTICS**

OPERATING TEMPERATURE RANGE	(°C)	: -40 , +85
STORAGE TEMPERATURE RANGE	(°C)	: -40 , +85



This information is given as an indication. In the continual goal to improve our products, we reserve the right to make any modifications judged necessary

**CREATION**  
N° :  
PEN/EP:H92016  
Name:MG  
Date:04.apr.96  
APP.:AF

ISSUE	REVISIONS	NAME	APPR.

**RADIALL®**  
101. rue P. Hoffmann -Z.I Ouest-  
93116 ROSNY/BOIS Cedex-FRANCE  
Phone:33(1)49353535  
Fax :33(1)48546363  
Tlx RADIA 235220F