

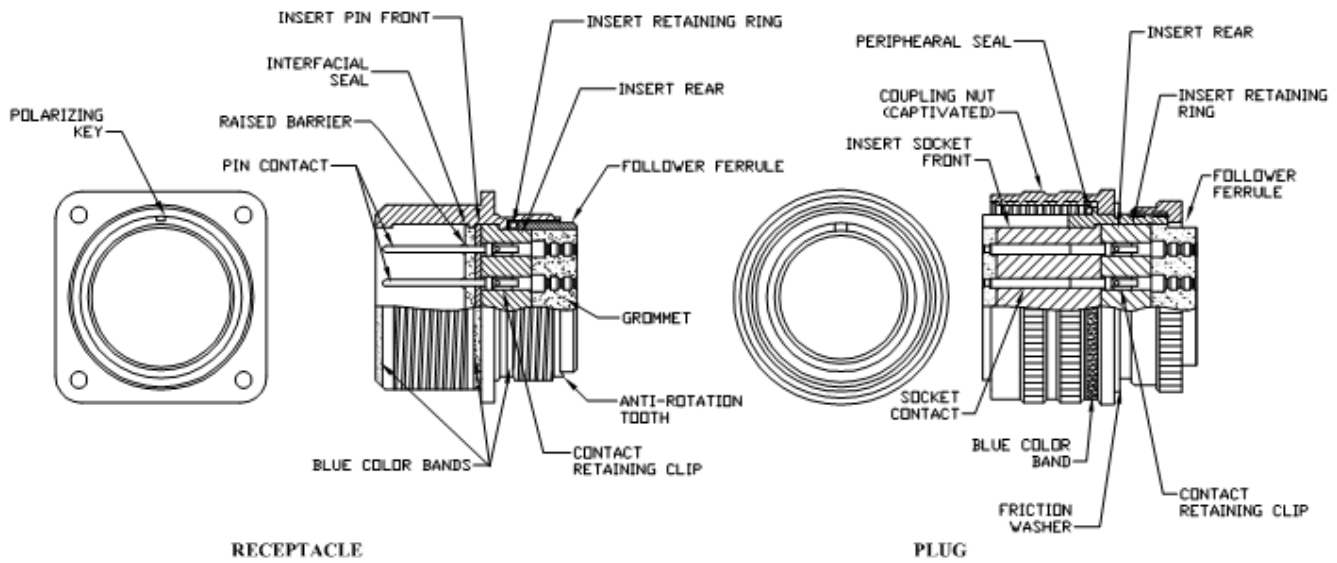
## ***Military Circular MIL-C-5015 catalogue Product Index***

<b>Solder Connectors</b> .....	5
<b>Crimp Front Release Connectors</b> .....	13
<b>Crimp Rear Release Connectors</b> .....	18
<b>Insert Configuration Table</b> .....	22
<b>Orientation Position Table</b> .....	26
<b>Contact Identification Table</b> .....	29
<b>Tooling Information</b> .....	29
<b>Backshell and Dust Caps</b> .....	still to come

*Catalogue update – Jun 2011 (Rev 2011-01)*

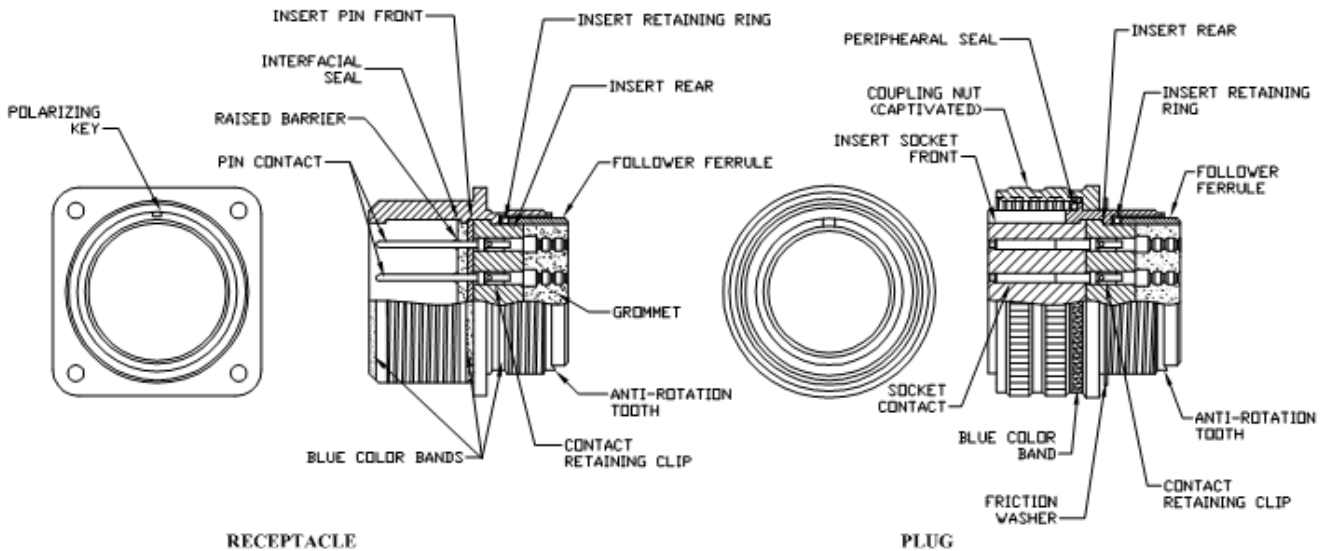
**MIL-C-5015 CRIMP, FRONT RELEASE**  
TYPICAL CONNECTOR DESIGN FEATURES

MIL-C-5015\_P38



**MIL-C-5015 CRIMP, REAR RELEASE**  
TYPICAL CONNECTOR DESIGN FEATURES

MIL-C-5015\_P68



Connector Type	Specifications
MS Circular Bayonet	VG 95324 BS9522-F0032 TDE77/R/42(British Rail)
AB Connectors Industrial Range	*BS9522 F0032 *VG 95234
MS Circular Bayonet Stainless Steel	*VG 95234
Power Connector	CECC 75-201-007
MS Circular Threaded	BS9522-F003 *MIL-C-5015 RARDE (CH) 5MS
MS High Temperature Circular Threaded	*MIL-C-5015 RARDE (CH) 695
MS High Temperature Circular Threaded	*EL 1987 *DEF5321 *MIL-C-5015
MS Circular Threaded Commercial MS-A Pattern 105 Miniature Circular Bayonet	*MIL-C-5015 BS9522-F0017 *MIL-C-26482 Series I
Audio Miniature Circular Bayonet/Snatch	*BS9522-F0017 & to RSRE Requirements
Miniature Circular Bayonet	VG 95328 BS9522-N0001 *MIL-C-26482 Series I
Sub Microminiature Lightweight Circular Threaded	*BS9522-F0019
Pattern 608 Ruggedised Circular Quick Start Threaded	BS9522-F0020
Marine Circular Threaded	VG 0088861
Ruggedised High Density Miniature Quick Start Threaded	BS9522-F0034
Ruggedised Databus Circular Quick Start Threaded	*Proprietary *MIL-STD 1553B
Multiplex Databus System	*MIL-STD1553B BS9522-F0041
Multiplex Databus System	*MIL-STD-1553B
Filter Connectors	Proprietary Lanyard Release Miniature Circular Coarse Threaded
Circular Heavy Duty Trailer Push/Pull	To RARDE (CH) Drawings
Intervehicle Slave Starting Push/Pull	To RARDE (CH) Drawings
Inter-car Jumper Assemblies	Proprietary
Rugged Mining Circular Staplelock	Proprietary *NCB 676
Pattern 104 Circular Threaded	BS9522-F0014
Pattern 104 Double Density Circular Threaded	BS9522-F0014
Circular Quick Release Power Push/Pull Drawings	To RARDE (CH)
Circular Alternator Power Threaded	To RARDE (CH) Drawings Product Safety

# **MIL-C-5015**

## **MILITARY CIRCULAR CONNECTORS**

Developed in 1939, MIL-C-5015 series is one of the oldest connector ranges still on the market today.

This series is classed as a general duties connector, commonly referred to as power connectors. The contact selection accommodates a range of wire sizes #0 to #16 American wire gauge, with 6 operating voltages.

### **MAIN CHARACTERISTICS**

#### **MATERIAL & FINISH**

Shell & accessories – Aluminium alloy, Cadmium plate, Olive Drab.

#### **COUPLING MECHANISM**

Screw/ Spin coupling

SPECIAL – 3 Lug Bayonet coupling MIL-C-5015 both crimp and solder connectors are available by adding SUFFIX "B" to the specific part number required (Eg. MS3106E16-10PB)

#### **INSERT MATERIAL**

Synthetic rubber offering high dielectric strength & resistance oil, fuels and aging.

#### **CONTACTS**

Machined contacts, generally silver plated 1 to 104 contact configurations are available.  
Pin contact sizes #16, #12, #8, #4, & #0 gauge.  
Both crimp and solder contacts.

#### **TEMPERATURE RANGE**

-55 Degrees C to +125 Degrees C.  
Environmental resistant.

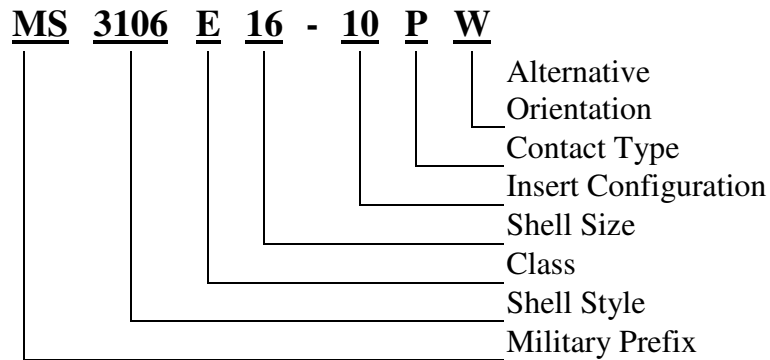
#### **ACCESSORIES**

Backshells/strain relief's Dust Caps, extra & special contacts.  
Solder version connectors can be supplied with strain relief backshell, use CLASS "F".  
Front release crimp version connectors can be supplied with a strain relief backshell, "DJ"CLASS only.



# MIL-C-5015 – SOLDER

## PART NUMBER CONSTRUCTION



### SHELL STYLE

MS3100	Wall Mount Receptacle
MS3101	In-line Receptacle
MS3102	Box Mount Receptacle
MS3103	Wall Mount Receptacle, Potting Seal
MS3106	Straight Plug
MS3107	Quick Disconnect Plug
MS3108	90° Angle Plug
MS3142	Box Mount Hermetic Receptacle
MS3143	Solder Mount Hermetic Receptacle
MS3436	Straight Plug
MS3507	Quick Disconnect Plug
MS25183	Straight Plug, Potted Seal
MS25183A	Straight Plug, Potted Seal; with ground lug

### CLASS

A	Solid shell non-environmental
B	Split shell non-environmental
C	Pressurised
E	Environmental SUPERSEDED by "F"
F	Environmental with O ring under coupling nut and supplied "R" type with strain relief backshell
H	Hermetic
K	Firewall
M	Replaced by "E"
RP	Replaced by "C"
R	Environmental with "O" ring under coupling nut

### CONTACT TYPE

S	Socket contact (Female)
P	Pin contact (Male)

### ALTERNATIVE ORIENTATION

Blank	Normal
W, X, Y or Z	

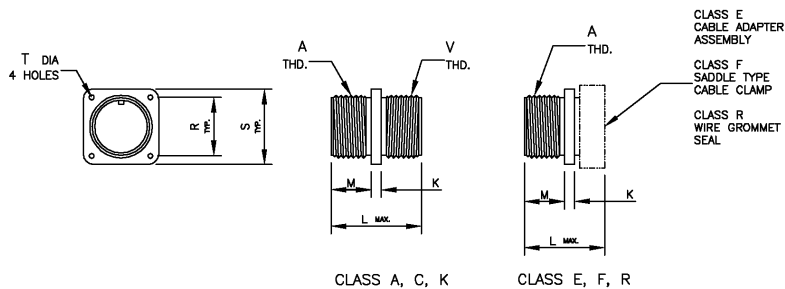
### INSERT CONFIGURATION

Number of contacts & wire gauge.  
See page 22

### SHELL SIZE

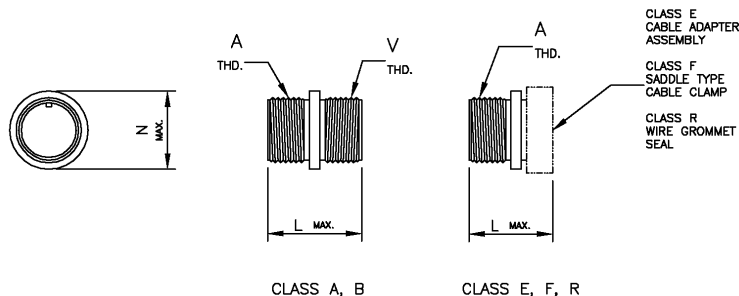
8S, 10S, 10SL, 12S, 12, 14S, 14, 16S, 16, 18, 20, 22, 24, 28, 32, 36, 40, 44, 48





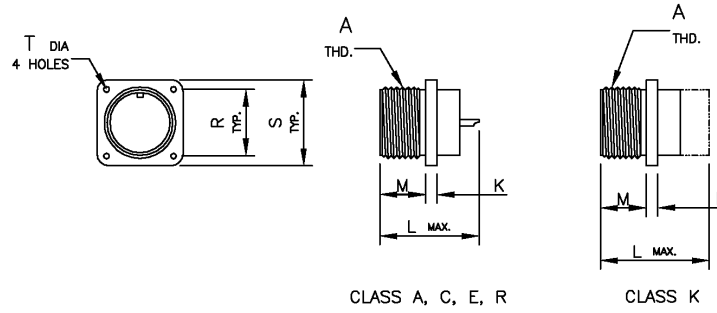
Shell Size	A Coupling Thread Class 2A	K		L				M Class A,C,E, F,K,R	R Class A,C,E, F,K,R	S Class A,C,E, F,K,R	T		V Accessory Thread Class 2A
		Class A, C, E, F, R Max. Min.	Class K	Class A, C	Class E, F	Class K	Class R				Class A,C,E, F,R	Class K	
8S	1/2-28 UNEF	.156-.062	.062	1.469	2.250	2.188	1.838	.562	.594	.875	.120	.150	1/2-28 UNEF
10S	5/8-24 UNEF	.156-.062	.062	1.531	2.250	2.188	1.838	.562	.719	1.000	.120	.150	1/2-28 UNEF
10SL	5/8-24 UNEF	.156-.062	.062	1.531	2.250	2.188	1.838	.562	.719	1.000	.120	.150	5/8-24 UNEF
12	3/4-20 UNEF	.156-.062	.062	1.688	2.625	2.875	2.181	.750	.812	1.094	.120	.150	5/8-24 UNEF
12S	3/4-20 UNEF	.156-.062	.062	1.688	2.250	2.188	1.838	.562	.812	1.094	.120	.150	5/8-24 UNEF
14	7/8-20 UNEF	.156-.062	.062	2.062	2.625	2.875	2.181	.750	.906	1.188	.120	.150	3/4-20 UNEF
14S	7/8-20 UNEF	.156-.062	.062	1.688	2.250	2.188	1.838	.562	.906	1.188	.120	.150	3/4-20 UNEF
16	1-20 UNEF	.156-.062	.062	2.062	2.625	2.875	2.181	.750	.969	1.281	.120	.150	7/8-20 UNEF
16S	1-20 UNEF	.156-.062	.062	1.688	2.250	2.188	1.838	.562	.969	1.281	.120	.150	7/8-20 UNEF
18	1 1/8-18 UNEF	.203-.094	.062	2.062	2.688	2.875	2.281	.750	1.062	1.375	.120	.177	1-20 UNEF
20	1 1/4-18 UNEF	.203-.094	.078	2.188	2.750	2.875	2.281	.750	1.156	1.500	.120	.177	1 3/16-18 UNEF
22	1 3/8-18 UNEF	.203-.094	.078	2.188	2.750	2.875	2.281	.750	1.250	1.625	.120	.177	1 3/16-18 UNEF
24	1 1/2-18UNEF	.203-.094	.078	2.312	2.969	3.125	2.281	.812	1.375	1.750	.147	.177	1 7/16-18 UNEF
28	1 3/4-18 UNS	.203-.094	.078	2.312	3.031	3.125	2.281	.812	1.562	2.000	.147	.177	1 7/16-18 UNEF
32	2-18 UNS	.359-.125	.078	2.438	3.031	3.125	2.322	.875	1.750	2.250	.173	.209	1 3/4-18 UNS
36	2 1/4-16 UN	.359-.125	.125	2.438	3.281	3.125	2.322	.875	1.983	2.500	.173	.209	2-18 UNS
40	2 1/2-16 UN	.359-.125	.125	2.438	3.500	3.125	2.322	.875	2.188	2.750	.173	.209	2 1/4-16 UN
44	2 3/4-16 UN	.359-.125	-	2.562	-	-	-	.875	2.375	3.000	.173	-	2 1/2-16 UN
48	3-16 UN	.359-.125	-	2.562	-	-	-	.875	2.625	3.250	.173	-	3-16 UN

In Line Receptacle - Class A; B; E; F; R



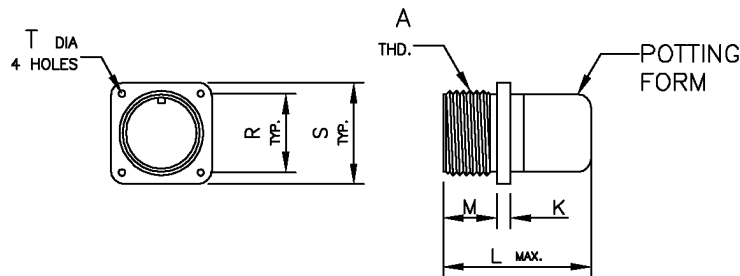
Shell Size	A Coupling Thread Class 2A	L			N		V Accessory Thread Class 2A
		Class A, B	Class E, F	Class R	Class A, B	Class E, F, R	
8S	1/2-28 UNEF	1.469	2.250	1.838	.844	.844	1/2-28 UNEF
10S	5/8-24 UNEF	1.531	2.250	1.838	.969	.969	1/2-28 UNEF
10SL	5/8-24 UNEF	1.531	2.250	1.838	.969	1.062	5/8-24 UNEF
12	3/4-20 UNEF	1.688	2.625	2.181	1.062	1.062	5/8-24 UNEF
12S	3/4-20 UNEF	1.688	2.250	1.838	1.062	1.062	5/8-24 UNEF
14	7/8-20 UNEF	2.062	2.625	2.181	1.156	1.156	3/4-20 UNEF
14S	7/8-20 UNEF	1.688	2.250	1.838	1.156	1.156	3/4-20 UNEF
16	1-20 UNEF	2.062	2.625	2.181	1.250	1.281	7/8-20 UNEF
16S	1-20 UNEF	1.688	2.250	1.838	1.250	1.281	7/8-20 UNEF
18	1 1/8-18 UNEF	2.062	2.688	2.281	1.344	1.344	1-20 UNEF
20	1 1/4-18 UNEF	2.188	2.750	2.281	1.496	1.500	1 3/16-18 UNEF
22	1 3/8-18 UNEF	2.188	2.750	2.281	1.594	1.625	1 3/16-18 UNEF
24	1 1/2-18UNEF	2.312	2.969	2.281	1.719	1.750	1 7/16-18 UNS
28	1 3/4-18 UNS	2.312	3.031	2.281	1.969	2.000	1 7/16-18 UNEF
32	2-18 UNS	2.438	3.031	2.322	2.219	2.250	1 3/4-18 UN
36	2 1/4-16 UN	2.438	3.281	2.322	2.469	2.500	2-18 UNS
40	2 1/2-16 UN	2.438	3.500	2.322	2.719	2.750	2 1/4-16 UN
44	2 3/4-16 UN	2.562	-	-	2.969	-	2 1/2-16 UN
48	3-16 UN	2.562	-	-	3.219	-	3-16 UN





Shell Size	A Coupling Thread Class 2A	K		L			M Class A,C,E, K,R	R Class A,C,E, K,R	S Class A,C,E, K,R	T	
		Class A, C, E, F, R Max. Min.	Class K	Class A, C	Class E, R	Class K				Class A,C,E, R	Class K
8S	½-28 UNEF	.156-.062	.062	1.111	1.188	1.375	.562	.549	.875	.120	.150
10S	5/8-24 UNEF	.156-.062	.062	1.111	1.188	1.438	.562	.719	1.000	.120	.150
10SL	5/8-24 UNEF	.156-.062	.062	1.111	1.188	1.438	.562	.719	1.000	.120	.150
12	¾-20 UNEF	.156-.062	.062	1.713	1.625	1.812	.750	.812	1.094	.120	.150
12S	¾-20 UNEF	.156-.062	.062	1.111	1.188	1.438	.562	.812	1.094	.120	.150
14	7/8-20 UNEF	.156-.062	.062	1.731	1.625	1.938	.750	.906	1.188	.120	.150
14S	7/8-20 UNEF	.156-.062	.062	1.111	1.188	1.438	.562	.906	1.188	.120	.150
16	1-20 UNEF	.156-.062	.062	1.750	1.625	2.062	.750	.969	1.281	.120	.150
16S	1-20 UNEF	.156-.062	.062	1.191	1.188	1.438	.560	.969	1.281	.120	.150
18	1 1/8-18 UNEF	.203-.094	.062	1.938	1.938	2.062	.750	1.062	1.375	.120	.177
20	1 ¼-18 UNEF	.203-.094	.078	1.938	1.938	2.250	.750	1.156	1.500	.120	.177
22	1 3/8-18 UNEF	.203-.094	.078	1.938	1.938	2.250	.750	1.250	1.625	.120	.177
24	1 ½-18 UNEF	.203-.094	.078	1.938	1.938	2.250	.812	1.375	1.750	.147	.177
28	1 ¾-18 UNS	.203-.094	.078	1.938	1.938	2.250	.812	1.562	2.000	.147	.177
32	2-18 UNS	.359-.125	.078	1.938	1.938	2.250	.875	1.750	2.250	.173	.209
36	2 ¼-16 UN	.359-.125	.125	1.938	1.938	2.250	.875	1.983	2.500	.173	.209
40	2 ½-16 UN	.359-.125	.125	1.938	2.562	2.250	.875	2.188	2.750	.173	.209
44	2 ¾-16 UN	.359-.125	-	2.188	-	-	.875	2.375	3.000	.173	-
48	3-16 UN	.359-.125	-	2.188	-	-	.875	2.625	3.250	.173	-

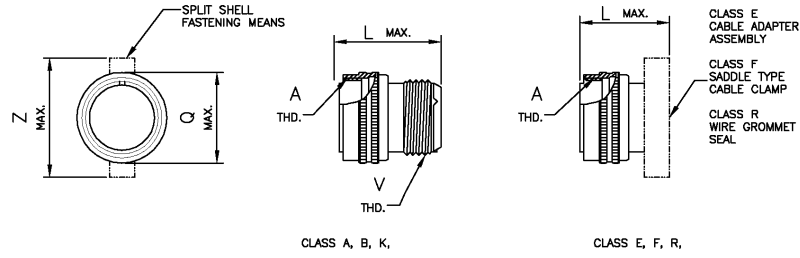
Potting Seal Receptacle



Shell Size	A Coupling Thread Class 2A	K Max. Min.	L Max.	M	R	S	T
8S	½-28 UNEF	.156-.062	1.531	.562	.549	.875	.120
10S	5/8-24 UNEF	.156-.062	1.531	.562	.719	1.000	.120
10SL	5/8-24 UNEF	.156-.062	1.531	.562	.719	1.000	.120
12	¾-20 UNEF	.156-.062	1.968	.750	.812	1.094	.120
12S	¾-20 UNEF	.156-.062	1.531	.562	.812	1.094	.120
14	7/8-20 UNEF	.156-.062	1.968	.750	.906	1.188	.120
14S	7/8-20 UNEF	.156-.062	1.531	.562	.906	1.188	.120
16	1-20 UNEF	.156-.062	1.968	.750	.969	1.281	.120
16S	1-20 UNEF	.156-.062	1.531	.562	.969	1.281	.120
18	1 1/8-18 UNEF	.203-.094	1.968	.750	1.062	1.375	.120
20	1 ¼-18 UNEF	.203-.094	2.188	.750	1.156	1.500	.120
22	1 3/8-18 UNEF	.203-.094	2.188	.750	1.250	1.625	.120
24	1 ½-18 UNEF	.203-.094	2.188	.812	1.375	1.750	.147
28	1 ¾-18 UNS	.203-.094	2.188	.812	1.562	2.000	.147
32	2-18 UNS	.359-.125	2.188	.875	1.750	2.250	.173
36	2 ¼-16 UN	.359-.125	2.188	.875	1.938	2.250	.173
40	2 ½-16 UN	.359-.125	2.188	.875	2.188	2.750	.173
44	2 ¾-16 UN	.359-.125	-	.875	2.375	3.000	.173
48	3-16 UN	.359-.125	-	.875	2.625	3.250	.173

# Straight Plug - Class A; B; E; F; K; R

**MS3106**



Shell Size	A Coupling Thread Class 2 A	L					Q		V		Z	
		Class A, B	Class E	Class F	Class K	Class R	Class A, B, E, F, R	Class K	Accessory Thread Class 2A	Class A, B, K	Class E, F	
8S	1/2-28 UNEF	1.469	2.250	2.312	2.188	2.250	.844	.844	1/2-28 UNEF	.844	1.046	
10S	5/8-24 UNEF	1.531	2.250	2.312	2.188	2.250	.969	.969	1/2-28 UNEF	.969	1.046	
10SL	5/8-24 UNEF	1.531	2.250	2.312	2.188	2.250	.969	.969	5/8-24 UNEF	1.062	1.125	
12	3/4-20 UNEF	1.688	2.625	2.656	2.875	2.625	1.062	1.062	5/8-24 UNEF	1.062	1.125	
12S	3/4-20 UNEF	1.688	2.250	2.312	2.188	2.250	1.062	1.062	5/8-24 UNEF	1.062	1.125	
14	7/8-20 UNEF	2.062	2.625	2.656	2.875	2.625	1.156	1.172	3/4-20 UNEF	1.156	1.343	
14S	7/8-20 UNEF	1.688	2.250	2.312	2.188	2.250	1.156	1.172	3/4-20 UNEF	1.156	1.343	
16	1-20 UNEF	2.062	2.625	2.656	2.875	2.625	1.250	1.266	7/8-20 UNEF	1.250	1.484	
16S	1-20 UNEF	1.688	2.250	2.312	2.188	2.250	1.250	1.266	7/8-20 UNEF	1.250	1.484	
18	1 1/8-18 UNEF	2.062	2.688	2.781	2.875	2.688	1.344	1.359	1-20 UNEF	1.641	1.609	
20	1 1/4-18 UNEF	2.188	2.750	2.781	2.875	2.750	1.469	1.484	1 3/16-18 UNEF	1.812	1.890	
22	1 3/8-18 UNEF	2.188	2.750	2.781	2.875	2.750	1.594	1.609	1 3/16-18 UNEF	1.938	1.890	
24	1 1/2-18 UNEF	2.312	2.969	2.969	3.125	2.969	1.719	1.734	1 7/16-18 UNEF	2.062	2.170	
28	1 3/4-18 UNS	2.312	3.031	3.031	3.125	3.031	1.969	1.984	1 7/16-18 UNS	2.312	2.170	
32	2-18 UNS	2.438	3.031	3.250	3.125	3.031	2.219	2.234	1 3/4-18 UNS	2.594	2.656	
36	2 1/4-16 UN	2.438	3.281	3.281	3.125	3.281	2.469	2.484	2-18 UN	2.844	2.922	
40	2 1/2-16 UN	2.438	3.500	3.500	-	3.500	2.719	-	2 1/4-16 UN	3.000	3.520	
44	2 3/4-16 UN	2.562	-	-	-	-	3.000	-	2 1/4-16 UN	.875	-	
48	3-16 UN	2.562	-	-	-	-	3.250	-	3-16 UN	.875	-	

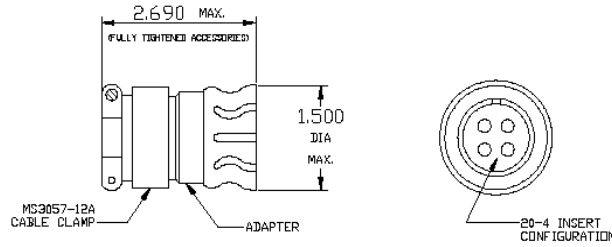
# Quick Disconnect Plug - Class A; B

**MS3107**



Shell Size	L	Q	V
8S	1.469	1.250	1/2-28
10S	1.531	1.375	1/2-28
10SL	1.531	1.375	5/8-24
12	2.062	1.500	5/8-24
12S	1.688	1.500	5/8-24
14	2.062	1.625	3/4-20
14S	1.688	1.625	3/4-20
16	2.062	1.750	7/8-20
16S	1.688	1.750	7/8-20
18	2.062	1.875	1-20
20	2.188	2.000	1 3/16-18
22	2.188	2.125	1 3/16-18
24	2.312	2.250	1 7/16-18
28	2.312	2.500	1 7/16-18
32	-	-	-
36	-	-	-
40	-	-	-
44	-	-	-
48	-	-	-

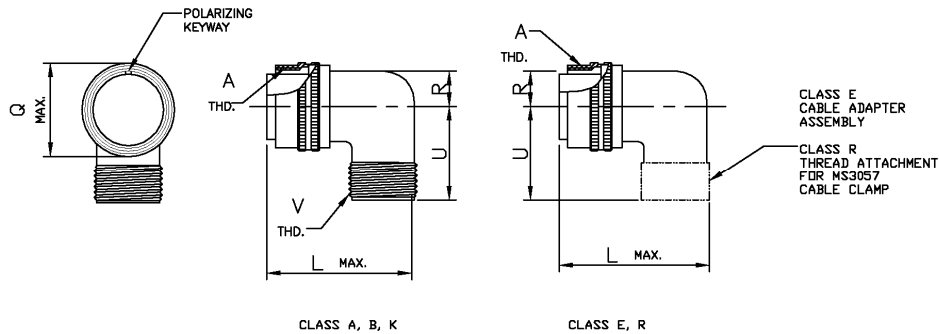




**MS3507 A 20 - A S**

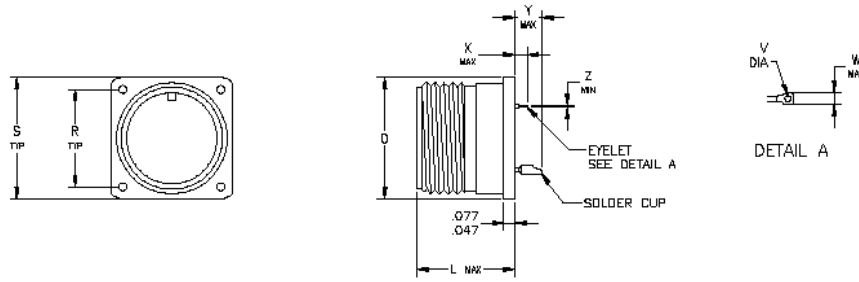
Contact Type S = Socket / P = Pin  
 Insert Configuration Only in 20-4 available  
 Shell Size Only in size 20 available  
 Class Only in Class A available  
 Military Prefix

90 Degree Plug - Class A; B; E; K; R



Shell Size	A Coupling Thread Class 2B	L			Q		R		U			V Accessory Thread Class 2A
		Class A, B	Class E, R	Class K	Class A, B, E, R	Class K	Class A, B, K	Class E, R	Class A, B	Class E, R	Class K	
8S	1/2-28 UNEF	1.750	2.156	1.750	.844	.844	.422	.422	.938	1.469	1.000	1/2-28 UNEF
10S	5/8-24 UNEF	1.750	2.156	1.938	.969	.969	.485	.516	1.000	1.469	1.250	1/2-28 UNEF
10SL	5/8-24 UNEF	1.812	2.188	2.188	.969	.969	.531	.516	1.000	1.500	1.250	5/8-24 UNEF
12	3/4-20 UNEF	2.250	2.531	2.531	1.062	1.062	.531	.562	1.062	1.500	1.406	5/8-24 UNEF
12S	3/4-20 UNEF	2.000	2.188	2.312	1.062	1.062	.531	.562	1.062	1.500	1.406	5/8-24 UNEF
14	7/8-20 UNEF	2.312	2.688	2.719	1.156	1.172	.656	.625	1.125	1.594	1.469	3/4-20 UNEF
14S	7/8-20 UNEF	2.125	2.312	2.500	1.156	1.172	.656	.625	1.125	1.594	1.469	3/4-20 UNEF
16	1-20 UNEF	2.562	2.781	2.938	1.250	1.266	.750	.688	1.188	1.688	1.531	7/8-20 UNEF
16S	1-20 UNEF	2.375	2.406	2.719	1.250	1.266	.750	.688	1.188	1.688	1.531	7/8-20 UNEF
18	1 1/8-18 UNEF	2.688	2.844	3.188	1.344	1.359	.828	.750	1.312	1.781	1.625	1-20 UNEF
20	1 1/4-18 UNEF	3.031	3.250	3.375	1.469	1.484	.906	.844	1.375	1.969	1.688	1 3/16-18 UNEF
22	1 3/8-18 UNEF	3.031	3.250	3.406	1.594	1.609	.969	.906	1.375	2.000	1.688	1 3/16-18 UNEF
24	1 1/2-18 UNEF	3.406	3.719	3.875	1.719	1.734	1.031	.953	1.562	2.125	2.031	1 7/16-18 UNEF
28	1 3/4-18 UNS	3.406	3.719	4.094	1.969	1.984	1.156	1.094	1.562	2.188	2.312	1 7/16-18 UNS
32	2-18 UNS	3.750	4.188	4.438	2.219	2.234	1.312	1.234	1.875	2.594	2.438	1 3/4-18 UNS
36	2 1/4-16 UN	3.938	4.297	5.000	2.469	2.484	1.438	1.359	2.062	2.719	2.656	2-18 UN
40	2 1/2-16 UN	4.750	4.516	5.000	2.719	2.719	1.562	1.422	2.125	3.188	2.125	2 1/4-16 UN
44	2 3/4-16 UN	-	-	-	-	-	-	-	-	-	-	2 1/2-16 UN
48	3-16 UN	-	-	-	-	-	-	-	-	-	-	3-16 UN



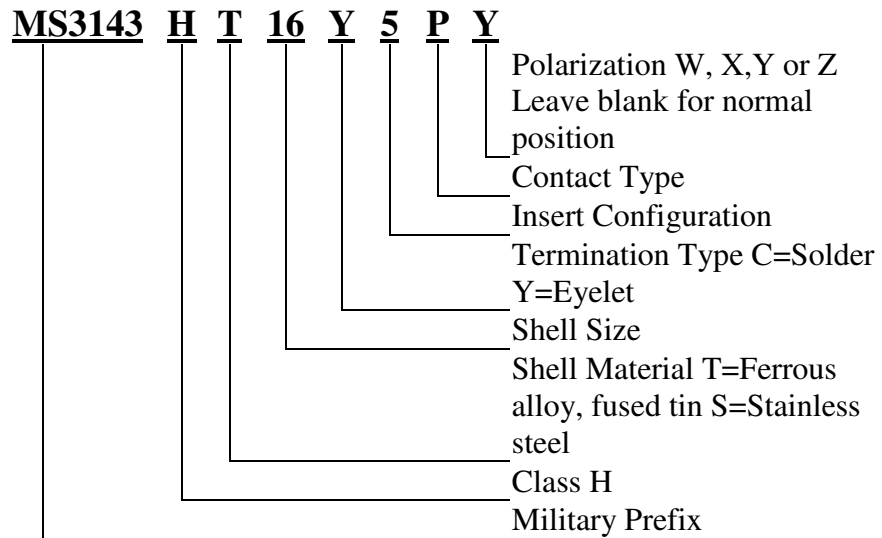


**MS3142 H T 8S Y 5 P Y**

- Polarization W, X, Y or Z  
Leave blank for normal position
- Contact Type
- Insert Configuration
- Termination Type  
C=Solder Y=Eyelet
- Shell Size
- Shell Material T=Ferrous alloy, fused tin S=Stainless steel
- Class H
- Military Prefix

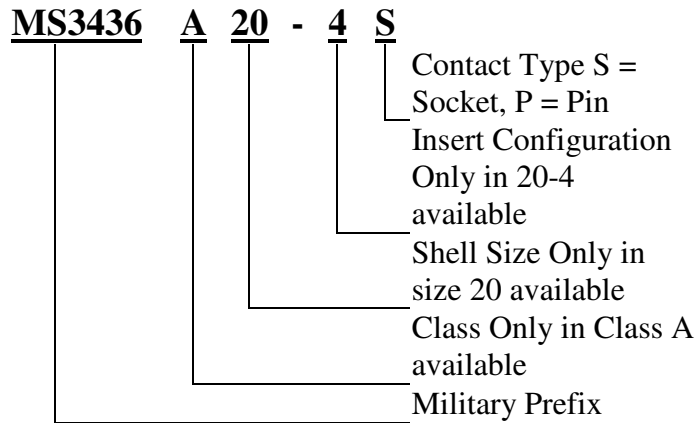
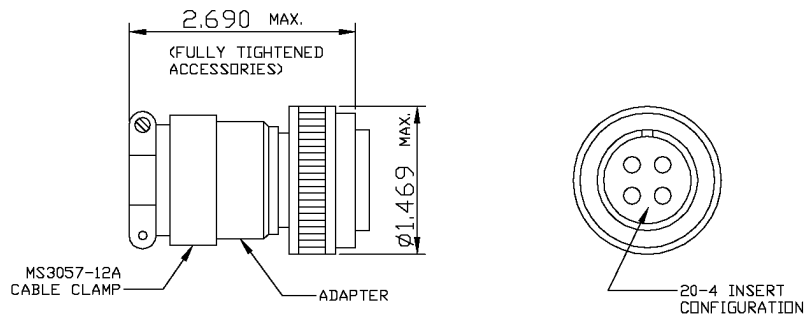
Shell Size	L		O REF. MTG HOLE	R	S	T
	Size 20, 16, 12 & 8 Contacts	Size 4 & 0 Contacts				
8S	.730	-	.562	.594	.785	.120
10S	.730	-	.688	.719	1.000	.120
10SL	.730	-	.688	.719	1.000	.120
12S	.730	-	.812	.812	1.094	.120
12	.915	-	.812	.812	1.094	.120
14S	.730	-	.938	.906	1.188	.120
14	.915	-	.938	.906	1.188	.120
16S	.730	1.040	1.062	.969	1.281	.120
16	.915	1.040	1.062	.969	1.281	.120
18	.915	1.040	1.188	1.062	1.375	.120
20	.915	1.040	1.312	1.156	1.500	.120
22	.915	1.040	1.438	1.250	1.625	.120
24	.915	1.040	1.562	1.375	1.750	.147
28	.915	1.040	1.812	1.562	2.000	.147
32	.915	1.040	2.062	1.750	2.250	.173
36	.915	1.040	2.312	1.938	2.500	.173
40	.915	1.040	2.562	2.188	2.750	.173
44	.915	1.040	2.812	2.375	3.000	.173
48	.915	1.040	3.062	2.625	3.250	.173

Contact Size	X	Y	Z	V	W
16	.219	.375	.020	.065	.115
12	.281	.516	.020	.096	.190
8	-	.719	-	-	-
4	-	.980	-	-	-
0	-	.980	-	-	-



Shell Size	C	K	L		O REF. MTG HOLE
			Size 20, 16, 12 & 8 Contacts	Size 4 & 0 Contacts	
8S	.750	.428	.730	-	.562
10S	.875	.490	.730	-	.688
10SL	.875	.490	.730	-	.688
12S	1.000	.646	.730	-	.812
12	1.000	.646	.915	-	.812
14S	1.125	.709	.730	-	.938
14	1.125	.709	.915	-	.938
16S	1.250	.834	.730	1.040	1.062
16	1.250	.834	.915	1.040	1.062
18	1.375	.959	.915	1.040	1.188
20	1.500	1.146	.915	1.040	1.312
22	1.625	1.240	.915	1.040	1.438
24	1.750	1.365	.915	1.040	1.562
28	2.000	1.615	.915	1.040	1.812
32	2.250	1.865	.915	1.040	2.062
36	2.500	2.115	.915	1.040	2.500
40	2.750	2.365	.915	1.040	2.750
44	3.000	2.613	.915	1.040	3.000
48	3.250	2.865	.915	1.040	3.250

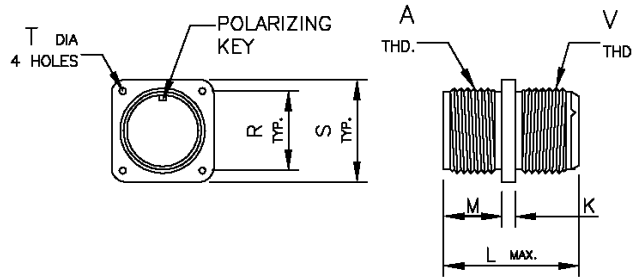
Contact Size	X	Y	Z	V	W
16	.219	.375	.020	.065	.115
12	.281	.516	.020	.096	.190
8	-	.719	-	-	-
4	-	.980	-	-	-
0	-	.980	-	-	-



Contact Size	A Coupling Thread Class 2B	L *	Q	R	T *
8S	½-28 UNEF	1.500	.844	.613	1.875
10S	5/8-24 UNEF	1.500	.969	.707	1.875
10SL	5/8-24 UNEF	1.500	.969	.863	1.875
12S	¾-20 UNEF	1.500	1.062	.863	1.875
12	¾-20 UNEF	1.906	1.062	.863	2.281
14S	7/8-20 UNEF	1.500	1.156	.941	1.875
14	7/8-20 UNEF	1.906	1.156	.941	2.281
16S	1-20 UNEF	1.500	1.250	1.066	1.875
16	1-20 UNEF	1.906	1.250	1.066	2.281
18	1 1/8-18 UNEF	1.906	1.344	1.207	2.281
20	1 ¼-18 UNEF	2.188	1.469	1.332	2.594
22	13/8-18 UNEF	2.188	1.594	1.457	2.594
24	1 ½-18 UNEF	2.188	1.719	1.582	2.594
28	1 ¾-18 UNS	2.188	1.969	1.832	2.594
32	2-18 UN	2.188	2.219	2.082	2.594
36	2 ¼-16 UN	2.188	2.469	2.395	2.594
40	2 ½-16 UN	2.188	2.719	2.594	2.594
44	2 ¾-16 UN	2.188	2.969	2.875	2.594
48	3-16 UN	2.188	3.219	3.125	2.594

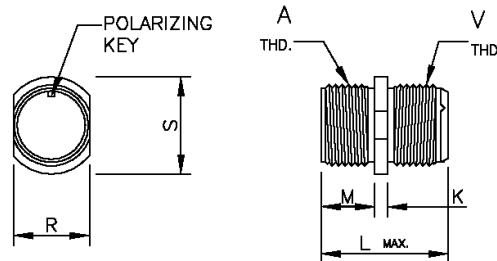
\* Add .375 for size "0" contacts.





Shell Size	A Coupling Thread Class 2A	K ±.015	L		M +.031 -.000	R Max. T.P.	S ±.031	V Accessory Thread Class 2A
			Contact Size					
			16 & 12	8, 4 & 0				
8S	½-28 UNEF	.083	2.031	-	.562	.594	.875	½-20 UNEF
10S	5/8-24 UNEF	.083	2.031	-	.562	.629	.854	5/8-24 UNEF
10SL	5/8-24 UNEF	.083	2.031	-	.562	.629	.854	5/8-24 UNEF
12S	¾-20 UNEF	.083	2.031	-	.562	.754	.974	¾-20 UNEF
12	¾-20 UNEF	.083	2.125	-	.750	.754	.974	¾-20 UNEF
14S	7/8-20 UNEF	.083	2.031	-	.562	.879	1.099	7/8-20 UNEF
14	7/8-20 UNEF	.083	2.125	-	.750	.879	1.099	7/8-20 UNEF
16S	1-20 UNEF	.083	2.031	-	.562	1.005	1.224	1-20 UNEF
16	1-20 UNEF	.083	2.125	1.937	.750	1.005	1.224	1-20 UNEF
18	1 1/8-18 UNEF	.125	2.125	1.937	.750	1.131	1.349	1 1/16-18 UNEF
20	1 ¼-18 UNEF	.125	2.125	1.937	.750	1.256	1.474	1 3/16-18 UNEF
22	1 3/8-18 UNEF	.125	2.125	1.937	.750	1.381	1.599	1 5/16-18 UNEF
24	1 ½-18 UNEF	.125	2.125	1.937	.812	1.506	1.715	1 7/16-18 UNEF
28	1 ¾-18 UNS	.125	2.125	1.937	.812	1.756	1.974	1 ¾-18 UNS
32	2-18 UNS	.125	2.125	1.937	.875	2.007	2.224	2-18 UNS
36	2 ¼-16 UN	.125	2.125	1.937	.875	2.257	2.474	2 ½-16 UN
40	2 ½-16 UN	.125	2.125	1.937	.875	2.511	2.724	2 ½-16 UN
44	2 ¾-16 UN	.125	2.125	1.937	.875	2.761	2.974	2 ¾-16 UN
48	3-16 UN	.125	2.125	1.937	.875	3.011	3.224	3-16 UN

In-line Receptacle - Class D

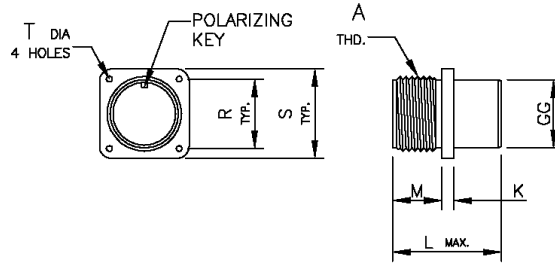


Shell Size	A Coupling Thread Class 2B	K ±.015	L Max.		M +.031 -.000	R		S ±.031	V Accessory Thread Class 2A
			Contact Size			Max.	Min.		
			16 & 12	8, 4 & 0					
8S	½-28 UNEF	.083	2.031	-	.562	.504	.496	.729	½-20 UNEF
10S	5/8-24 UNEF	.083	2.031	-	.562	.629	.621	.854	5/8-24 UNEF
10SL	5/8-24 UNEF	.083	2.031	-	.562	.629	.621	.854	5/8-24 UNEF
12S	¾-20 UNEF	.083	2.031	-	.562	.754	.746	.974	¾-20 UNEF
12	¾-20 UNEF	.083	2.125	-	.750	.754	.746	.974	¾-20 UNEF
14S	7/8-20 UNEF	.083	2.031	-	.562	.879	.871	1.099	7/8-20 UNEF
14	7/8-20 UNEF	.083	2.125	-	.750	.879	.871	1.099	7/8-20 UNEF
16S	1-20 UNEF	.083	2.031	-	.562	1.005	.996	1.224	1-20 UNEF
16	1-20 UNEF	.083	2.125	2.500	.750	1.005	.996	1.224	1-20 UNEF
18	1 1/8-18 UNEF	.125	2.125	2.500	.750	1.131	1.121	1.349	1 1/16-18 UNEF
20	1 ¼-18 UNEF	.125	2.125	2.500	.750	1.256	1.246	1.474	1 3/16-18 UNEF
22	1 3/8-18 UNEF	.125	2.125	2.500	.750	1.381	1.371	1.599	1 5/16-18 UNEF
24	1 ½-18 UNEF	.125	2.125	2.500	.812	1.506	1.496	1.715	1 7/16-18 UNEF
28	1 ¾-18 UNS	.125	2.125	2.500	.812	1.756	1.746	1.974	1 ¾-18 UNS
32	2-18 UNS	.125	2.125	2.500	.875	2.007	1.996	2.224	2-18 UNS
36	2 ¼-16 UN	.125	2.125	2.500	.875	2.257	2.246	2.474	2 ½-16 UN
40	2 ½-16 UN	.125	2.125	2.500	.875	2.511	2.496	2.724	2 ½-16 UN
44	2 ¾-16 UN	.125	2.125	2.500	.875	2.761	2.746	2.974	2 ¾-16 UN
48	3-16 UN	.125	2.125	2.500	.875	3.011	2.996	3.224	3-16 UN



# Box Mount Receptacle - Class D

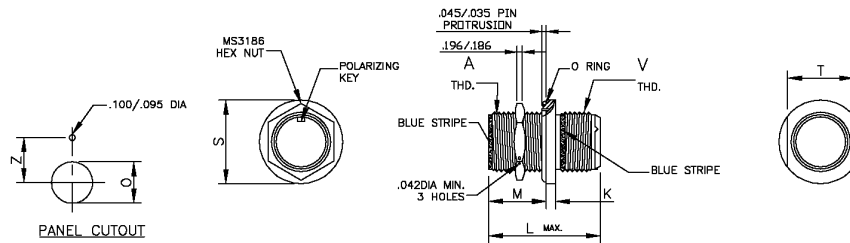
MS3402



Shell Size	A Coupling Thread Class 2A	K ±.015	L		M +.031 -.000	R T.P. ζ - ζ	S ±.031	T +.010 -.005 Class		V Accessory Thread Class 2 A
			Contact Size					D, L, U, W,	K	
			16 & 12	8, 4 & 0						
8S	½-28 UNEF	.083	2.031	-	.562	.594	.875	.120	.150	½-20 UNEF
10S	5/8-24 UNEF	.083	2.031	-	.562	.719	1.000	.120	.150	5/8-24 UNEF
10SL	5/8-24 UNEF	.083	2.125	-	.562	.719	1.000	.120	.150	5/8-24 UNEF
12S	¾-20 UNEF	.083	2.031	-	.562	.812	1.095	.120	.150	¾-20 UNEF
12	¾-20 UNEF	.083	2.125	-	.750	.812	1.094	.120	.150	¾-20 UNEF
14S	7/8-20 UNEF	.083	2.031	-	.562	.906	1.188	.120	.150	7/8-20 UNEF
14	7/8-20 UNEF	.083	2.125	-	.750	.906	1.188	.120	.150	7/8-20 UNEF
16S	1-20 UNEF	.083	2.125	-	.562	.969	1.281	.120	.150	1-20 UNEF
16	1-20 UNEF	.083	2.125	1.937	.750	.969	1.281	.120	.150	1-20 UNEF
18	1 1/8-18 UNEF	.125	2.125	1.937	.750	1.062	1.375	.120	.177	1 1/16-18 UNEF
20	1 ¼-18 UNEF	.125	2.125	1.937	.750	1.156	1.500	.120	.177	1 3/16-18 UNEF
22	1 3/8-18 UNEF	.125	2.125	1.937	.750	1.250	1.625	.120	.177	1 5/16-18 UNEF
24	1 ½-18 UNEF	.125	2.125	1.937	.812	1.375	1.750	.147	.177	1 7/16-18 UNEF
28	1 ¾-18 UNS	.125	2.125	1.937	.812	1.562	2.000	.147	.177	1 ¾-18 UNS
32	2-18 UNS	.125	2.125	1.937	.875	1.750	2.250	.173	.209	2-18 UNS
36	2 ¼-16 UN	.125	2.125	1.937	.875	1.938	2.500	.173	.209	2 ¼-16 UN
40	2 ½-16 UN	.125	2.125	1.937	.875	2.188	2.750	.173	.209	2 ½-16 UN
44	2 ¾-16 UN	.125	2.125	1.937	.875	2.375	3.000	.173	.209	2 ¾-16 UN
48	3-16 UN	.125	2.125	1.937	.875	2.625	3.250	.173	.209	3-16 UN

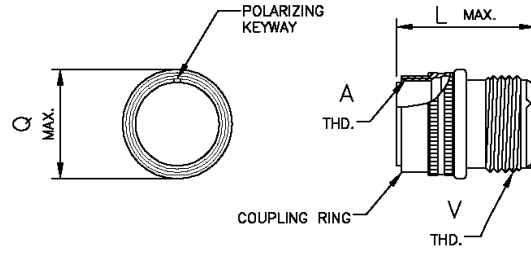
# Jam Nut Receptacle - Class D

MS3404

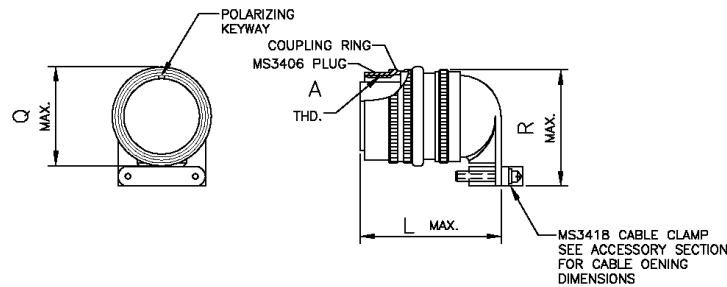


Shell Size	A Coupling Thread Class 2A	K ±.015	L Max.		M ±.005	S ±.005	T ±.010	O Dia. +.015 -.000	Z ±.005	V Accessory Thread Class 2A
			Contact Size							
			16 & 12	8, 4 & 0						
8S	½-28 UNEF	.115	2.031	-	.720	1.187	.865	.505	.326	½-20 UNEF
10S	5/8-24 UNEF	.115	2.031	-	.720	1.312	.990	.630	.385	5/8-24 UNEF
10SL	5/8-24 UNEF	.115	2.031	-	.720	1.312	.990	.630	.385	5/8-24 UNEF
12S	¾-20 UNEF	.115	2.031	-	.720	1.437	1.050	.755	.448	¾-20 UNEF
12	¾-20 UNEF	.115	2.125	-	.966	1.437	1.050	.755	.448	¾-20 UNEF
14S	7/8-20 UNEF	.115	2.031	-	.720	1.562	1.175	.880	.510	7/8-20 UNEF
14	7/8-20 UNEF	.115	2.125	-	.966	1.562	1.175	.880	.510	7/8-20 UNEF
16S	1-20 UNEF	.115	2.031	-	.720	1.687	1.300	1.005	.573	1-20 UNEF
16	1-20 UNEF	.115	2.125	2.500	.966	1.687	1.300	1.005	.573	1-20 UNEF
18	1 1/8-18 UNEF	.115	2.125	2.500	.966	1.812	1.425	1.130	.635	1 1/16-18 UNEF
20	1 ¼-18 UNEF	.145	2.125	2.500	.966	1.937	1.550	1.255	.698	1 3/16-18 UNEF
22	1 3/8-18 UNEF	.145	2.125	2.500	.966	2.156	1.550	1.380	.760	1 5/16-18 UNEF
24	1 ½-18 UNEF	.145	2.125	2.500	.966	2.281	1.800	1.505	.823	1 7/16-18 UNEF
28	1 ¾-18 UNS	.145	2.125	2.500	.966	2.531	1.925	1.755	.948	1 ¾-18 UNS
32	2-18 UNS	.145	2.125	2.500	.966	2.781	2.175	2.005	1.073	2-18 UNS
36	2 ¼-16 UN	.145	2.125	2.500	.966	3.031	2.550	2.255	1.198	2 ¼-16 UN
40	2 ½-16 UN	.145	2.125	2.500	.966	3.281	2.800	2.505	1.323	2 ½-16 UN
44	2 ¾-16 UN	.145	2.125	2.500	.966	3.656	3.050	2.755	1.448	2 ¾-16 UN
48	3-16 UN	.145	2.125	2.500	.966	3.906	3.300	3.005	1.573	3-16 UN

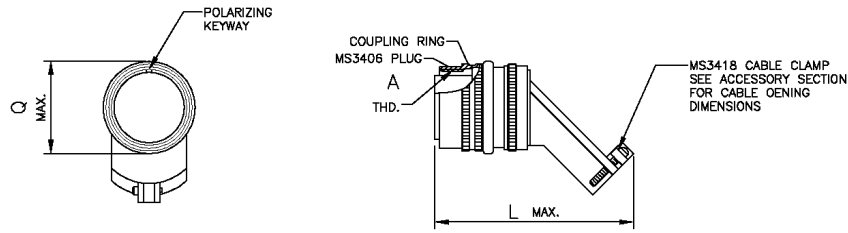




Shell Size	A Coupling Thread Class 2B	Q Dia. Max.	L Max. Contact Size		V Accessory Thread Class 2A
			16 & 12	8, 4 & 0	
			8S	1/2-28 UNEF	
10S	5/8-24 UNEF	.969	2.031	-	5/8-24 UNEF
10SL	5/8-24 UNEF	.969	2.031	-	5/8-24 UNEF
12S	3/4-20 UNEF	1.062	2.031	-	3/4-20 UNEF
12	3/4-20 UNEF	1.062	2.125	-	3/4-20 UNEF
14S	7/8-20 UNEF	1.156	2.031	-	7/8-20 UNEF
14	7/8-20 UNEF	1.156	2.125	-	7/8-20 UNEF
16S	1-20 UNEF	1.250	2.031	-	1-20 UNEF
16	1-20 UNEF	1.250	2.125	2.500	1-20 UNEF
18	1 1/8-18 UNEF	1.344	2.125	2.500	1 1/16-18 UNEF
20	1 1/4-18 UNEF	1.469	2.125	2.500	1 3/16-18 UNEF
22	1 3/8-18 UNEF	1.594	2.125	2.500	1 5/16-18 UNEF
24	1 1/2-18 UNEF	1.719	2.125	2.500	1 7/16-18 UNEF
28	1 3/4-18 UNS	1.969	2.125	2.500	1 3/4-18 UNS
32	2-18 UNS	2.219	2.125	2.500	2-18 UNS
36	2 1/4-16 UN	2.469	2.125	2.500	2 1/4-16 UN
40	2 1/2-16 UN	2.719	2.125	2.500	2 1/2-16 UN
44	2 3/4-16 UN	2.969	2.125	2.500	2 3/4-16 UN
48	3-16 UN	3.219	2.125	2.500	3-16 UN

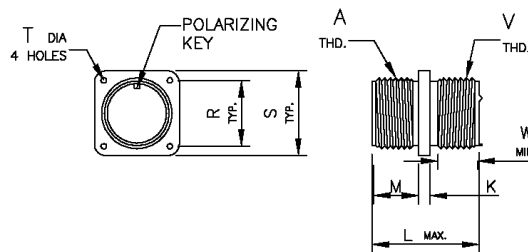


Shell Size	A Coupling Thread Class 2B	Q Dia. Max.	L Max. Contact Size		R Max.
			16 & 12	8, 4 & 0	
			8S	1/2-28 UNEF	
10S	5/8-24 UNEF	.969	2.500	-	1.352
10SL	5/8-24 UNEF	.969	2.555	-	1.352
12S	3/4-20 UNEF	1.062	2.555	-	1.460
12	3/4-20 UNEF	1.062	2.625	-	1.460
14S	7/8-20 UNEF	1.156	2.615	-	1.570
14	7/8-20 UNEF	1.156	2.685	-	1.570
16S	1-20 UNEF	1.250	2.695	-	1.681
16	1-20 UNEF	1.250	2.765	3.165	1.681
18	1 1/8-18 UNEF	1.344	2.810	3.210	1.905
20	1 1/4-18 UNEF	1.469	2.875	3.275	2.031
22	1 3/8-18 UNEF	1.594	2.935	3.335	2.155
24	1 1/2-18 UNEF	1.719	2.995	3.395	2.280
28	1 3/4-18 UNS	1.969	3.160	3.560	2.619
32	2-18 UNS	2.219	3.250	3.650	2.969
36	2 1/4-16 UN	2.469	3.375	3.775	3.219
40	2 1/2-16 UN	2.719	3.510	3.910	3.469
44	2 3/4-16 UN	2.969	3.635	4.035	3.843
48	3-16 UN	3.219	3.760	4.160	4.093



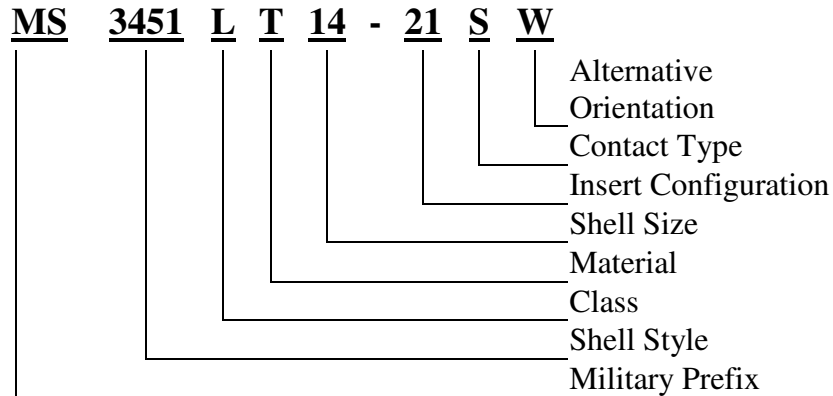
Shell Size	A Coupling Thread Class 2B	L Max.		Q Dia. Max.
		Class D	Class DJ	
8S	½-28 UNEF	3.000	3.938	.844
10S	5/8-24 UNEF	3.062	4.438	.969
10SL	5/8-24 UNEF	3.062	4.438	.969
12S	¾-20 UNEF	3.125	4.562	1.062
12	¾-20 UNEF	3.125	4.562	1.062
14S	7/8-20 UNEF	3.188	4.688	1.156
14	7/8-20 UNEF	3.188	4.688	1.156
16S	1-20 UNEF	3.250	6.125	1.250
16	1-20 UNEF	3.250	6.125	1.250
18	1 1/8-18 UNEF	3.375	5.188	1.344
20	1 ¼-18 UNEF	3.438	5.188	1.469
22	1 3/8-18 UNEF	3.500	5.375	1.594
24	1 ½-18UNEF	3.500	5.375	1.719
28	1 ¾-18 UNS	3.625	5.625	1.969
32	2-18 UNS	3.750	5.938	2.219
36	2 ¼-16 UN	3.812	6.062	2.469
40	2 ½-16 UN	3.812	6.812	2.719
44	2 ¾-16 UN	4.062	6.812	2.969
48	3-16 UN	4.125	6.812	3.219

Box Mount Receptacle with Threaded Rear Skirt - Class D; L



Shell Size	A Coupling Thread Class 2A	K ±.015	L Max.		M ±.005	R T.P. $\zeta - \zeta$	S ±.031	T +.010 - .005 Class		V Accessory Thread Class 2A
			Contact Size					D, L, U, W	K	
			16 & 12	8, 4 & 0						
8S	½-28 UNEF	.083	1.662	-	.562	.594	.875	.120	.150	½-20 UNEF
10S	5/8-24 UNEF	.083	1.662	-	.562	.719	1.000	.120	.150	5/8-24 UNEF
10SL	5/8-24 UNEF	.083	1.662	-	.562	.719	1.000	.120	.150	5/8-24 UNEF
12S	¾-20 UNEF	.083	1.662	-	.562	.812	1.094	.120	.150	¾-20 UNEF
12	¾-20 UNEF	.083	1.662	-	.750	.812	1.094	.120	.150	¾-20 UNEF
14S	7/8-20 UNEF	.083	1.662	-	.562	.906	1.188	.120	.150	7/8-20 UNEF
14	7/8-20 UNEF	.083	1.662	-	.750	.906	1.188	.120	.150	7/8-20 UNEF
16S	1-20 UNEF	.083	1.662	-	.562	.969	1.281	.120	.150	1-20 UNEF
16	1-20 UNEF	.083	1.662	1.937	.750	.969	1.281	.120	.150	1-20 UNEF
18	1 1/8-18 UNEF	.125	1.662	1.937	.750	1.062	1.375	.120	.177	1 1/16-18 UNEF
20	1 ¼-18 UNEF	.125	1.662	1.937	.750	1.156	1.500	.120	.177	1 3/16-18 UNEF
22	1 3/8-18 UNEF	.125	1.662	1.937	.750	1.250	1.625	.120	.177	1 5/16-18 UNEF
24	1 ½-18UNEF	.125	1.662	1.937	.812	1.375	1.750	.147	.177	1 7/16-18 UNEF
28	1 ¾-18 UNS	.125	1.662	1.937	.812	1.562	2.000	.147	.177	1 ¾-16 UNS
32	2-18 UNS	.125	1.662	1.937	.875	1.750	2.250	.173	.209	2-18 UNS
36	2 ¼-16 UN	.125	1.662	1.937	.875	1.938	2.500	.173	.209	2 ¼-18 UN
40	2 ½-16 UN	.125	1.662	1.937	.875	2.188	2.750	.173	.209	2 ½-16 UN
44	2 ¾-16 UN	.125	1.662	1.937	.875	2.375	3.000	.173	.209	2 ¾-16 UN
48	3-16 UN	.125	1.662	1.937	.875	2.625	3.250	.173	.209	3-16 UN

# **MIL-C-5015 – CRIMP, REAR RELEASE PART NUMBER CONSTRUCTION**



### **SHELL STYLE**

MS3450	Wall Mount Receptacle
MS3451	In-line Receptacle
MS3452	Box Mount Receptacle
MS3454	Jam Nut Receptacle
MS3456	Straight Plug
MS3459	Straight Plug, Self Locking Coupling Nut

### **CLASS**

K	175°C Firewall, Fluid Resistant
L	200°C Fluid Resistant
U	200°C High Temperature
W	175°C General Purpose

### **CONTACT TYPE**

S	Socket Contact (Female)
P	Pin Contact (Male)

### **INSERT CONFIGURATION**

Number of contacts & wire gauge

### **SHELL SIZE**

8S, 10S, 10SL, 12S, 12, 14S, 14, 16S, 16, 18, 20, 22, 24, 32, 36, 40, 44, 48

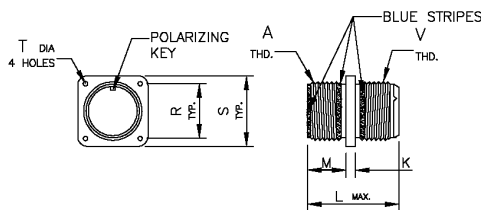
### **MATERIAL**

Blank	Aluminium
S	Stainless Steel
T	Ferrous alloy, Class K Only

### **ALTERNATIVE ORIENTATION**

Blank, W, X, Y or Z

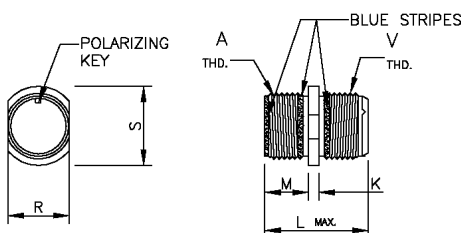




NOTE: BLUE STRIPES AS SHOWN INDICATE MIL-C-5015 REAR RELEASE

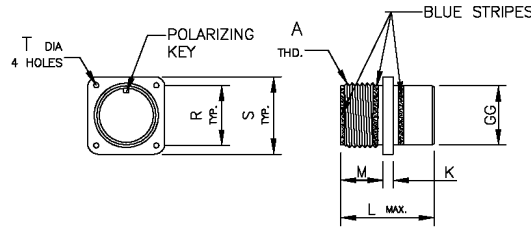
Shell Size	A Coupling Thread Class 2A	K ±.015	L Max.		M ±+.031 -.000	R T.P. ϕ - ϕ	S ±.031	T +.010 -.005		V Accessory Thread Class 2 A
			Contact Size					Class		
			16 & 12	8, 4 & 0				D, L, U, W	K	
8S	1/2-28 UNEF	.083	2.031	-	.562	.594	.875	.120	.150	1/2-20 UNEF
10S	5/8-24 UNEF	.083	2.031	-	.562	.719	1.000	.120	.150	5/8-24 UNEF
10SL	5/8-24 UNEF	.083	2.031	-	.562	.719	1.000	.120	.150	5/8-24 UNEF
12S	3/4-20 UNEF	.083	2.031	-	.562	.812	1.094	.120	.150	3/4-20 UNEF
12	3/4-20 UNEF	.083	2.125	-	.750	.812	1.094	.120	.150	3/4-20 UNEF
14S	7/8-20 UNEF	.083	2.031	-	.562	.906	1.188	.120	.150	7/8-20 UNEF
14	7/8-20 UNEF	.083	2.125	-	.750	.906	1.188	.120	.150	7/8-20 UNEF
16S	1-20 UNEF	.083	2.031	-	.562	.969	1.281	.120	.150	1-20 UNEF
16	1-20 UNEF	.083	2.125	2.500	.750	.969	1.281	.120	.150	1-20 UNEF
18	1 1/8-18 UNEF	.125	2.125	2.500	.750	1.062	1.375	.120	.177	1 1/16-18 UNEF
20	1 1/4-18 UNEF	.125	2.125	2.500	.750	1.156	1.500	.120	.177	1 3/16-18 UNEF
22	1 3/8-18 UNEF	.125	2.125	2.500	.750	1.250	1.625	.120	.177	1 5/16-18 UNEF
24	1 1/2-18UNEF	.125	2.125	2.500	.812	1.375	1.750	.147	.177	1 7/16-18 UNEF
28	1 3/4-18 UNS	.125	2.125	2.500	.812	1.562	2.000	.147	.177	1 3/4-18 UNS
32	2-18 UNS	.125	2.125	2.500	.875	1.750	2.250	.173	.209	2-18 UNS
36	2 1/4-16 UN	.125	2.125	2.500	.875	1.938	2.500	.173	.209	2 1/4-16 UN
40	2 1/2-16 UN	.125	2.125	2.500	.875	2.188	2.750	.173	.209	2 1/2-16 UN
44	2 3/4-16 UN	.125	2.125	2.500	.875	2.375	3.000	.173	.209	2 3/4-16 UN
48	3-16 UN	.125	2.125	2.500	.875	2.625	3.250	.173	.209	3-16 UN

In-line Receptacle - Class L; U; W



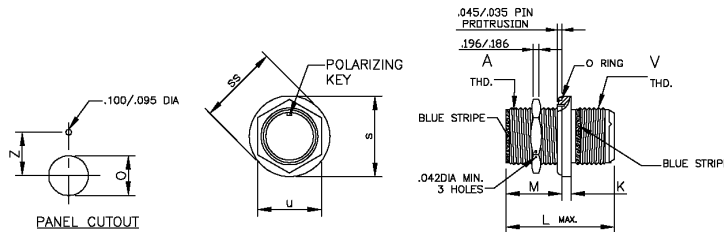
NOTE: BLUE STRIPES AS SHOWN INDICATE MIL-C-5015 REAR RELEASE

Shell Size	A Coupling Thread Class 2A	K ±.015	L Max.		M +.031 -.000	R		S ±.031	V Accessory Thread Class 2A
			Contact Size			Max.	Min.		
			16 & 12	8, 4 & 0					
8S	1/2-28 UNEF	.083	2.031	-	.562	.504	.496	.729	1/2-20 UNEF
10S	5/8-24 UNEF	.083	2.031	-	.562	.629	.621	.854	5/8-24 UNEF
10SL	5/8-24 UNEF	.083	2.031	-	.562	.629	.621	.854	5/8-24 UNEF
12S	3/4-20 UNEF	.083	2.031	-	.562	.754	.746	.974	3/4-20 UNEF
12	3/4-20 UNEF	.083	2.125	-	.750	.754	.746	.974	3/4-20 UNEF
14S	7/8-20 UNEF	.083	2.031	-	.562	.879	.871	1.099	7/8-20 UNEF
14	7/8-20 UNEF	.083	2.125	-	.750	.879	.871	1.099	7/8-20 UNEF
16S	1-20 UNEF	.083	2.031	-	.562	1.005	.996	1.224	1-20 UNEF
16	1-20 UNEF	.083	2.125	2.500	.750	1.005	.996	1.224	1-20 UNEF
18	1 1/8-18 UNEF	.125	2.125	2.500	.750	1.131	1.121	1.349	1 1/16-18 UNEF
20	1 1/4-18 UNEF	.125	2.125	2.500	.750	1.256	1.246	1.474	1 3/16-18 UNEF
22	1 3/8-18 UNEF	.125	2.125	2.500	.750	1.381	1.371	1.599	1 5/16-18 UNEF
24	1 1/2-18UNEF	.125	2.125	2.500	.812	1.506	1.496	1.715	1 7/16-18 UNEF
28	1 3/4-18 UNS	.125	2.125	2.500	.812	1.756	1.746	1.974	1 3/4-18 UNS
32	2-18 UNS	.125	2.125	2.500	.875	2.007	1.996	2.224	2-18 UNS
36	2 1/4-16 UN	.125	2.125	2.500	.875	2.257	2.246	2.474	2 1/4-16 UN
40	2 1/2-16 UN	.125	2.125	2.500	.875	2.511	2.496	2.724	2 1/2-16 UN
44	2 3/4-16 UN	.125	2.125	2.500	.875	2.761	2.746	2.974	2 3/4-16 UN
48	3-16 UN	.125	2.125	2.500	.875	3.011	2.996	3.224	3-16 UN



NOTE: BLUE STRIPES AS SHOWN INDICATE MIL-C-5015 REAR RELEASE

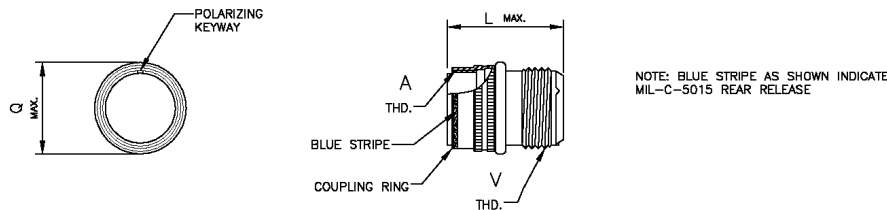
Shell Size	A Coupling Thread Class 2A	K ±.015	L Max. Contact Size		M +.031 -0.000	R T.P. $\zeta - \zeta$	S ±.031	T +.010 -0.005	GG Dia. ±.016
			16 & 12	8, 4 & 0					
			8S	1/2-28 UNEF					
10S	5/8-24 UNEF	.083	1.662	-	.562	.719	1.000	.120	.625
10SL	5/8-24 UNEF	.083	1.662	-	.562	.719	1.000	.120	.625
12S	3/4-20 UNEF	.083	1.662	-	.562	.812	1.094	.120	.750
12	3/4-20 UNEF	.083	1.662	-	.750	.812	1.094	.120	.750
14S	7/8-20 UNEF	.083	1.662	-	.562	.906	1.188	.120	.875
14	7/8-20 UNEF	.083	1.662	-	.750	.906	1.188	.120	.875
16S	1-20 UNEF	.083	1.662	-	.562	.969	1.281	.120	1.000
16	1-20 UNEF	.083	1.662	1.937	.750	.969	1.281	.120	1.000
18	1 1/8-18 UNEF	.125	1.662	1.937	.750	1.062	1.375	.120	1.062
20	1 1/4-18 UNEF	.125	1.662	1.937	.750	1.156	1.500	.120	1.187
22	1 3/8-18 UNEF	.125	1.662	1.937	.750	1.250	1.625	.120	1.312
24	1 1/2-18 UNEF	.125	1.662	1.937	.812	1.375	1.750	.147	1.437
28	1 3/4-18 UNS	.125	1.662	1.937	.812	1.562	2.000	.147	1.750
32	2-18 UNS	.125	1.662	1.937	.875	1.750	2.250	.173	2.000
36	2 1/4-16 UN	.125	1.662	1.937	.875	1.938	2.500	.173	2.250
40	2 1/2-16 UN	.125	1.662	1.937	.875	2.188	2.750	.173	2.500
44	2 3/4-16 UN	.125	1.662	1.937	.875	2.375	3.000	.173	2.750
48	3-16 UN	.125	1.662	1.937	.875	2.625	3.250	.173	3.000



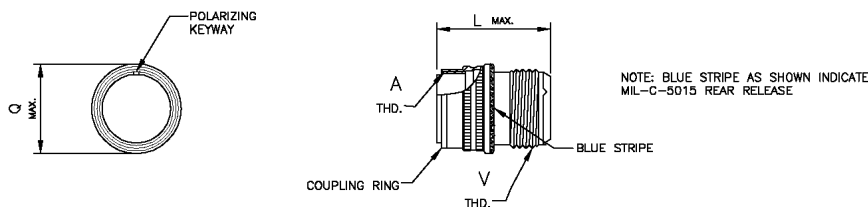
NOTE: BLUE STRIPES AS SHOWN INDICATE MIL-C-5015 REAR RELEASE

Shell Size	A Coupling Thread Class 2A	K ±.005	L Max. Contact Size		M ±.005	S ±.005	SS Dia. ±.005	U ±.010	O Dia. -.015 -.000	Z ±.005	V Accessory Thread Class 2 A
			16 & 12	8, 4 & 0							
			8S	1/2-28 UNEF							
10S	5/8-24 UNEF	.115	2.031	-	.720	1.312	1.312	.812	.630	.385	5/8-24 UNEF
10SL	5/8-24 UNEF	.115	2.031	-	.720	1.312	1.312	.812	.630	.385	5/8-24 UNEF
12S	3/4-20 UNEF	.115	2.031	-	.720	1.437	1.437	.937	.755	.448	3/4-20 UNEF
12	3/4-20 UNEF	.115	2.125	-	.970	1.437	1.437	.937	.755	.448	3/4-20 UNEF
14S	7/8-20 UNEF	.115	2.031	-	.720	1.562	1.562	1.125	.880	.510	7/8-20 UNEF
14	7/8-20 UNEF	.115	2.125	-	.970	1.562	1.562	1.125	.880	.510	7/8-20 UNEF
16S	1-20 UNEF	.115	2.031	-	.720	1.687	1.687	1.250	1.005	.573	1-20 UNEF
16	1-20 UNEF	.115	2.125	2.500	.970	1.687	1.687	1.250	1.005	.573	1-20 UNEF
18	1 1/8-18 UNEF	.115	2.125	2.500	.970	1.812	1.812	1.375	1.130	.635	1 1/8-18 UNEF
20	1 1/4-18 UNEF	.145	2.125	2.500	.970	1.937	1.937	1.500	1.255	.698	1 3/16-18 UNEF
22	1 3/8-18 UNEF	.145	2.125	2.500	.970	2.156	2.156	1.625	1.380	.760	1 5/16-18 UNEF
24	1 1/2-18 UNEF	.145	2.125	2.500	.970	2.281	2.281	1.750	1.505	.823	1 7/16-18 UNEF
28	1 3/4-18 UNS	.145	2.125	2.500	.970	2.531	2.531	2.000	1.755	.948	1 3/4-18 UNS
32	2-18 UNS	.145	2.125	2.500	.970	2.781	2.781	2.375	2.005	1.073	2-18 UNS
36	2 1/4-16 UN	.145	2.125	2.500	.970	3.031	3.031	2.625	2.255	1.198	2 1/4-16 UN
40	2 1/2-16 UN	.145	2.125	2.500	.970	3.281	3.281	2.875	2.505	1.323	2 1/2-16 UN
44	2 3/4-16 UN	.145	2.125	2.500	.970	3.656	3.656	3.125	2.755	1.448	2 3/4-16 UN
48	3-16 UN	.145	2.125	2.500	.970	3.906	3.906	3.375	3.005	1.573	3-16 UN





Shell Size	A Coupling Thread Class 2B	Q Dia. Max.	L Max. Contact Size		V Accessory Thread Class 2A
			16 & 12	8, 4 & 0	
			8S	1/2-28 UNEF	
10S	5/8-24 UNEF	.969	2.031	-	5/8-24 UNEF
10SL	5/8-24 UNEF	.969	2.031	-	5/8-24 UNEF
12S	3/4-20 UNEF	1.062	2.031	-	3/4-20 UNEF
12	3/4-20 UNEF	1.062	2.125	-	3/4-20 UNEF
14S	7/8-20 UNEF	1.156	2.031	-	7/8-20 UNEF
14	7/8-20 UNEF	1.156	2.125	-	7/8-20 UNEF
16S	1-20 UNEF	1.250	2.031	-	1-20 UNEF
16	1-20 UNEF	1.250	2.125	2.500	1-20 UNEF
18	1 1/8-18 UNEF	1.344	2.125	2.500	1 1/16-18 UNEF
20	1 1/4-18 UNEF	1.469	2.125	2.500	1 3/16-18 UNEF
22	1 3/8-18 UNEF	1.594	2.125	2.500	1 5/16-18 UNEF
24	1 1/2-18 UNEF	1.719	2.125	2.500	1 7/16-18 UNEF
28	1 3/4-18 UNS	1.969	2.125	2.500	1 3/4-18 UNS
32	2-18 UNS	2.219	2.125	2.500	2-18 UNS
36	2 1/4-16 UN	2.469	2.125	2.500	2 1/4-16 UN
40	2 1/2-16 UN	2.719	2.125	2.500	2 1/2-16 UN
44	2 3/4-16 UN	2.969	2.125	2.500	2 3/4-16 UN
48	3-16 UN	3.219	2.125	2.500	3-16 UN



Shell Size	A Coupling Thread Class 2B	Q Din. Max.	L Max. Contact Size		V Accessory Thread Class 2A
			16 & 12	8, 4 & 0	
			8S	1/2-28 UNEF	
10S	5/8-24 UNEF	1.088	2.031	-	5/8-24 UNEF
10SL	5/8-24 UNEF	1.088	2.031	-	5/8-24 UNEF
12S	3/4-20 UNEF	1.213	2.031	-	3/4-20 UNEF
12	3/4-20 UNEF	1.213	2.125	-	3/4-20 UNEF
14S	7/8-20 UNEF	1.358	2.031	-	7/8-20 UNEF
14	7/8-20 UNEF	1.358	2.125	-	7/8-20 UNEF
16S	1-20 UNEF	1.463	2.031	-	1-20 UNEF
16	1-20 UNEF	1.463	2.125	2.500	1-20 UNEF
18	1 1/8-18 UNEF	1.588	2.125	2.500	1 1/16-18 UNEF
20	1 1/4-18 UNEF	1.713	2.125	2.500	1 3/16-18 UNEF
22	1 3/8-18 UNEF	1.788	2.125	2.500	1 5/16-18 UNEF
24	1 1/2-18 UNEF	1.963	2.125	2.500	1 7/16-18 UNEF
28	1 3/4-18 UNS	2.213	2.125	2.500	1 3/4-18 UNS
32	2-18 UNS	2.463	2.125	2.500	2-18 UNS
36	2 1/4-16 UN	2.713	2.125	2.500	2 1/4-16 UN
40	2 1/2-16 UN	2.963	2.125	2.500	2 1/2-16 UN

## MIL-C-5015 - INSERT CONFIGURATION

INSERT	TOTAL CONTACTS	CONTACT SIZE					NOTES
		#16	#12	#8	#4	#0	
8S-1	1	1					
10S-2	1	1					
10SL-3	3	3					
12S-3	2	2					
12S-4	1	1					
12-5	1		1				
14S-2	4	4					
14-3	1			1			
14S-5	5	5					
14S-6	6	6					
14S-7	3	3					
16S-1	7	7					
16-2	1		1				
16S-3	1	1					
16S-4	2	2					
16-7	3	2					
16S-8	5	5					
16-9	4	2	2				
16-10	3		3				
16-11	2		2				
16-12	1				1		
16-13	2		2				Thermocouple
18-1	10	10					
18-4	4	4					
18-5	3	1	2				
18-6	1				1		
18-7	1			1			
18-8	8	7	1				
18-9	7	5	2				
18-11	5		5				
18-12	6	6					
18-13	4		3	1			
18-14	2	1			1		
18-15	4		4				Thermocouple
18-16	1		1				High voltage contact

MIL-STD-1651

Contact	Gauge Ranges	Max. Current Rating (Amps)
16	16-22	22
12	12-14	41
8	8-10	73
4	4-6	135
0	0-2	245



# MIL-C-5015 - INSERT CONFIGURATION

INSERT	TOTAL CONTACTS	CONTACT SIZE					NOTES
		#16	#12	#8	#4	#0	
20-2	1					1	
20-4	4		4				
20-7	8	8					
20-8	6	4		2			
20-9	8	7	1				
20-14	5		3	2			
20-15	7		7				
20-16	9	7	2				
20-17	6	1	5				
20-18	9	6	3				
20-21	9	8	1				
20-22	6	3		3			
20-23	2			2			
20-24	4	2		2			
20-27	14	14					
20-29	17	17					
20-33	11	11					
22-2	3			3			
22-5	6	4	2				
22-7	1					1	
22-9	3		3				
22-10	4	4					
22-11	2	2					
22-12	5	3		2			
22-14	19	19					
22-15	6	1	5				
22-17	9	8	1				
22-18	8	8					
22-19	14	14					
22-21	3	2				1	
22-22	4			4			
22-23	8		8				
22-27	9	8		1			
22-36	8		8				Thermocouple

MIL-STD-1651

Contact	Gauge Ranges	Max. Current Rating (Amps)
16	16-22	22
12	12-14	41
8	8-10	73
4	4-6	135
0	0-2	245

## MIL-C-5015 - INSERT CONFIGURATION

INSERT	TOTAL CONTACTS	CONTACT SIZE					NOTES
		#16	#12	#8	#4	#0	
24-2	7		7				
24-6	8		8				
24-7	16	14	2				
24-10	7			7			
24-11	9		6	3			
24-12	5		3		2		
24-16	7	3	3	1			
24-20	11	9	2				
24-21	10	9		1			
24-22	4			4			
24-27	7	7					
24-28	24	24					
24-80	23	23					
28-1	9		6	3			
28-2	14	12	2				
28-3	3			3			
28-4	9	7	2				
28-5	5	2	1		2		
28-8	12	10	2				
28-9	12	6	6				
28-10	7		3	2	2		
28-11	22	18	4				
28-12	26	26					
28-15	35	35					
28-17	15	15					
28-18	12	12					
28-19	10	6	4				
28-20	14	4	10				
28-21	37	37					
28-22	6	3			3		
28-23	24	21					+3 #8 shielded
28-24	24	21					+3 #8 shielded
32-1	5		3			2	
32-2	5	2			3		
32-3	9	4	2		2	1	
32-6	23	16	2	3	2		
32-7	35	28	7				

MIL-STD-1651

Contact	Gauge Ranges	Max. Current Rating (Amps)
16	16-22	22
12	12-14	41
8	8-10	73
4	4-6	135
0	0-2	245



## MIL-C-5015 - INSERT CONFIGURATION

INSERT	TOTAL CONTACTS	CONTACT SIZE					NOTES
		#16	#12	#8	#4	#0	
32-9	14	12			2		
32-13	23	18	5				
32-15	8		6			2	
32-17	4				4		
32-22	54	54					
32-73	46	46					
32-101	12	10					+2 Coaxial contacts
32-102	14	13					+1 Coaxial contact
36-3	6		3				
36-5	4					4	
36-6	6				4	2	
36-7	47	40	7				
36-8	47	46	1				
36-9	31	14	14	2	1		
36-10	48	48					
36-15	35	35					
36-52	52	52					
36-66	56	52	4				
40-1	30	24	6				
40-2	23	23					
40-3	23	18	4		1		
40-4	23	16	2	3	2		
40-5	15		6	4	2	3	
40-6	26	24	1			1	
40-7	22	18	2			2	
40-9	47	24	22	1			
40-10	29	16		9	4		
40-11	25	18	4	1	1	1	
40-15	60	57					+3 #8 shielded
40-56	85	85					
40-62	60	60					
44-1	42	36	6				
44-2	31	14	14	2	2		
44-3	31	24	3	2	1		
44-4	41	31	8			2	
44-52	104	104					
48-1	15		6	4	2	3	
48-2	47	46	1				
48-3	25	18	1	3		3	
48-4	68	47	16			2	
48-62	85		85				

MIL-STD-1651



## MIL-C-5015 - ORIENTATION POSITIONS (Keyways)

ANGLE OF ORIENTATION IN DEGREES					
Shell Configuration	Normal	W	X	Y	Z
8-S1	0	-	-	-	-
10S-2	0	-	-	-	-
10SL-3	0	-	-	-	-
12S-3	0	70	145	215	290
12S-4	0	-	-	-	-
12-5	0	-	110	-	-
14S-2	0	-	120	240	-
14-3	0	-	-	-	-
14S-5	0	-	-	-	-
14S-6	0	-	-	-	-
14S-7	0	90	180	270	-
16S-1	0	80	-	-	280
16-2	0	-	-	-	-
16S-3	0	-	-	-	-
16S-4	0	35	110	250	325
16-7	0	80	110	250	280
16S-8	0	-	170	265	-
16-9	0	35	110	250	325
16-10	0	90	180	270	-
16-11	0	35	110	250	325
16-12	0	-	-	-	-
16-13	0	35	110	250	325
18-1	0	70	145	215	290
18-4	0	35	110	250	325
18-5	0	80	110	250	280
18-6	0	-	-	-	-
18-7	0	-	-	-	-
18-8	0	70	-	-	290
18-9	0	80	110	250	280
18-11	0	-	170	265	-
18-12	0	80	-	-	280
18-13	0	80	110	250	280
18-14	0	80	110	250	280
18-15	0	-	-	-	-
18-16	0	-	-	-	-
20-2	0	-	-	-	-
20-4	0	45	110	250	-
20-7	0	80	110	250	280
20-8	0	80	110	250	280
20-9	0	80	110	250	280
20-14	0	80	110	250	280
20-15	0	80	-	-	280
20-16	0	80	110	250	280
20-17	0	90	180	270	-
20-18	0	35	110	250	325
20-21	0	35	110	250	325
20-22	0	80	110	250	280



Normal Position



W Position



X Position



Y Position



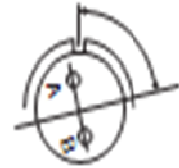
Z Position



## MIL-C-5015 - ORIENTATION POSITIONS (Keyways)

ANGLE OF ORIENTATION IN DEGREES					
Shell Configuration	Normal	W	X	Y	Z
20-23	0	35	110	250	325
20-24	0	35	110	250	325
20-27	0	35	110	250	325
20-29	0	80	-	-	280
20-33	0	-	-	-	-
22-2	0	70	145	215	290
22-5	0	35	110	250	325
22-7	0	-	-	-	-
22-9	0	70	145	215	290
22-10	0	35	110	250	325
22-11	0	35	110	250	325
22-12	0	80	110	250	280
22-14	0	80	110	250	280
22-15	0	80	110	250	280
22-17	0	80	110	250	280
22-18	0	80	110	250	280
22-19	0	80	110	250	280
22-21	0	80	110	250	280
22-22	0	-	110	250	-
22-23	0	35	-	250	-
22-27	0	80	-	250	280
22-36	0	-	-	-	-
24-2	0	80	-	-	280
24-6	0	80	110	250	280
24-7	0	80	-	-	280
24-10	0	80	-	-	280
24-11	0	35	110	250	325
24-12	0	80	110	250	280
24-16	0	80	110	250	280
24-20	0	80	110	250	280
24-21	0	80	110	250	280
24-22	0	45	110	250	-
24-27	0	80	-	-	280
24-28	0	80	110	250	280
24-80	0	-	-	-	-
28-1	0	80	110	250	280
28-2	0	35	110	250	325
28-4	0	80	110	250	280
28-5	0	35	110	250	325
28-8	0	80	110	250	280
28-9	0	80	110	250	280
28-10	0	80	110	250	280
28-11	0	80	110	250	280
28-12	0	90	180	270	-
28-15	0	80	110	250	280
28-17	0	80	110	250	280
28-18	0	70	145	215	290

Normal  
Position



W Position



X Position



Y Position



Z Position



## MIL-C-5015 - ORIENTATION POSITIONS (Keyways)

Shell Configuration	ANGLE OF ORIENTATION IN DEGREES				
	Normal	W	X	Y	Z
28-19	0	80	110	250	280
28-20	0	80	110	250	280
28-21	0	80	110	250	280
28-22	0	70	145	215	290
28-23	0	-	-	-	-
28-24	0	-	-	-	-
32-1	0	80	110	250	280
32-2	0	70	145	215	290
32-3	0	80	110	250	280
32-6	0	80	110	250	280
32-7	0	80	125	235	280
32-9	0	80	110	250	280
32-13	0	80	110	250	280
32-15	0	35	110	250	280
32-17	0	45	110	250	-
32-22	0	-	-	-	-
32-73	0	-	-	-	-
32-101	0	-	-	-	-
32-102	0	-	-	-	-
36-3	0	70	145	215	290
36-5	0	-	120	240	-
36-6	0	35	110	250	325
36-7	0	80	110	250	280
36-8	0	80	110	250	280
36-9	0	80	125	235	280
36-10	0	80	125	235	280
36-15	0	60	125	245	305
36-52	0	-	-	-	-
36-66	0	-	-	-	-
40-1	0	65	130	235	300
40-2	0	-	-	-	-
40-3	0	-	-	-	-
40-4	0	-	-	-	-
40-5	0	-	-	-	-
40-6	0	-	-	-	-
40-7	0	-	-	-	-
40-9	0	65	125	225	310
40-10	0	65	125	225	310
40-11	0	-	-	-	-
40-15	0	-	-	-	-
40-56	0	72	114	216	288
40-62	0	-	-	-	-
44-1	0	-	-	-	-
44-2	0	-	-	-	-
44-3	0	-	-	-	-
44-4	0	-	-	-	-
44-52	0	-	-	-	-
48-1	0	-	-	-	-
48-2	0	-	-	-	-
48-3	0	-	-	-	-
48-4	0	-	-	-	-
48-62	0	-	-	-	-



Normal Position



W Position



X Position



Y Position



Z Position



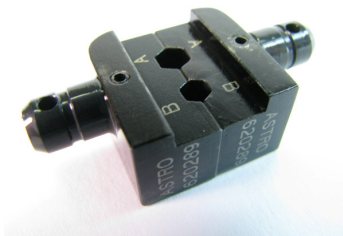
# MIL-C-5015 - CRIMP CONTACTS & TOOLING

## MIL-C-5015 FRONT RELEASE

Contact Size	Wire Awg Range	Socket Contact	Pin Contact	Crimp Tool	Positioner/ Locator	Extraction Tool	Insertion Tool
16	22-26	M39029/45-295 Red/White/Yellow	M39029/44-287 Red/Grey/Violet	M22520/1-01	M22520/1-02 Blue	M81969/19-01	M81969/17-01
16	16-20	M39029/45-295 Red/White/Green	M39029/44-288 Red/Grey/Grey	M22520/1-01	M22520/1-02 Blue	M81969/19-01	M81969/17-01
12	16-20	M39029/45-296 Red/White/Blue	M39029/44-289 Red/Grey/White	M22520/1-01	M22520/1-02 Yellow	M81969/19-01	M81969/17-01
12	12-14	M39029/45-297 Red/White/Violet	M39029/44-290 Red/White/Black	M22520/1-01	M22520/1-02 Yellow	M81969/19-02	M18969/17-02
8	8	M39029/45-298 Red/White/Grey	M39029/44-291 Red/White/Brown	M22520/23-01	M22520/23-02 Plus M22520/23-09	M81969/19-03	M81969/17-06
4	4	M39029/45-299 Red/White/White	M39029/44-292 Red/White/Red	M22520/23-01	M22520/23-04 Plus M22520/23-11	M81969/19-04	M81969/17-07
0	0	M39029/45-300 Orange/Black/Black	M39029/44-293 Red/White/Orange	M22520/23-01	M22520/23-05 Plus M22520/23-13	M81969/19-05	M81969/17-08

## MIL-C-5015 REAR RELEASE

Contact Size	Wire Awg Range	Socket Contact	Pin Contact	Crimp Tool	Positioner/ Locator	Extraction Tool	Insertion Tool
16	16-20	M39029/30-217 Red/Brown/Violet	M39029/29-212 Red/Brown/Red	M22520/1-01 or M22520/7-01	M22520/1-02 Blue or M22520/7-03	M81969/14-03 or M81969/8-07	M81969/14-03 or M81969/8-07



## Notes



## **Notes**





## HEAD OFFICE

**Address** 44 Aero Road, Ingleburn NSW 2565 AUSTRALIA  
**Telephone** +61 2 9829 1555  
**Facsimile** +61 2 9605 8812  
**Email** [sales@rojone.com.au](mailto:sales@rojone.com.au)  
**Website** [www.rojone.com.au](http://www.rojone.com.au)

## BRANCH OFFICES

**South Australia** Michael Janoska 08 8340 4001  
[michael@rojone.com.au](mailto:michael@rojone.com.au)  
**Western Australia** Warren Boucaut 0407 426 233  
[warren@rojone.com.au](mailto:warren@rojone.com.au)  
**Victoria** Bob Tonissen 0430 041 636  
[bob@rojone.com.au](mailto:bob@rojone.com.au)

**Please contact us to enquire about our other catalogues**

