

High Gain Omni Directional Antenna for 5500 - 5825 MHz

Version 2

SAA04-200180

Electrical Specification

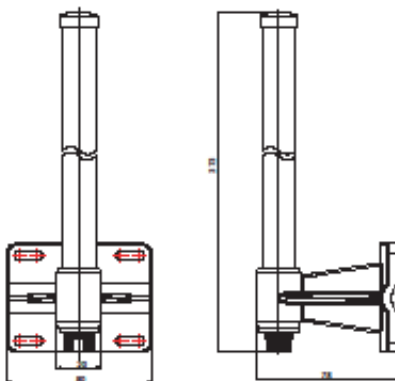
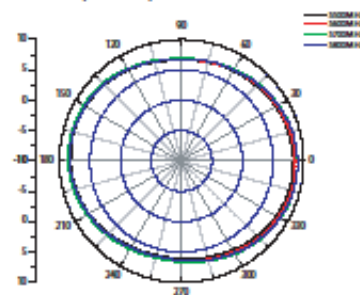
Frequency range	5500 - 5825 MHz
Gain	8.0 dBi
VSWR	2.0 : 1 (Max.)
Polarization	Linear, vertical
HPBW / horizontal	360°
HPBW / vertical	12°
Downtilt	0°
Power handling	20 W (cw)
Impedance	50 Ohm
Connector	N jack



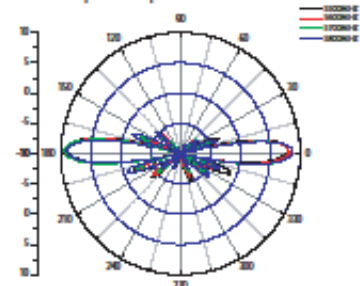
Environmental & Mechanical Characteristics

Survival wind speed	216 km/hr
Temperature	-40°C to +80°C
Humidity	95% @ 55° C
Radome color	Gray
Radome material	Fiber glass, UV resistant
Weight	0.28 kg
Dimensions	80 x 78 x 373 mm

H-plane Co-polarization Pattern



V-plane Co-polarization Pattern



Proudly one of Australia's top 100 Professional & Military Electronics, GPS, RF & Telecommunications companies