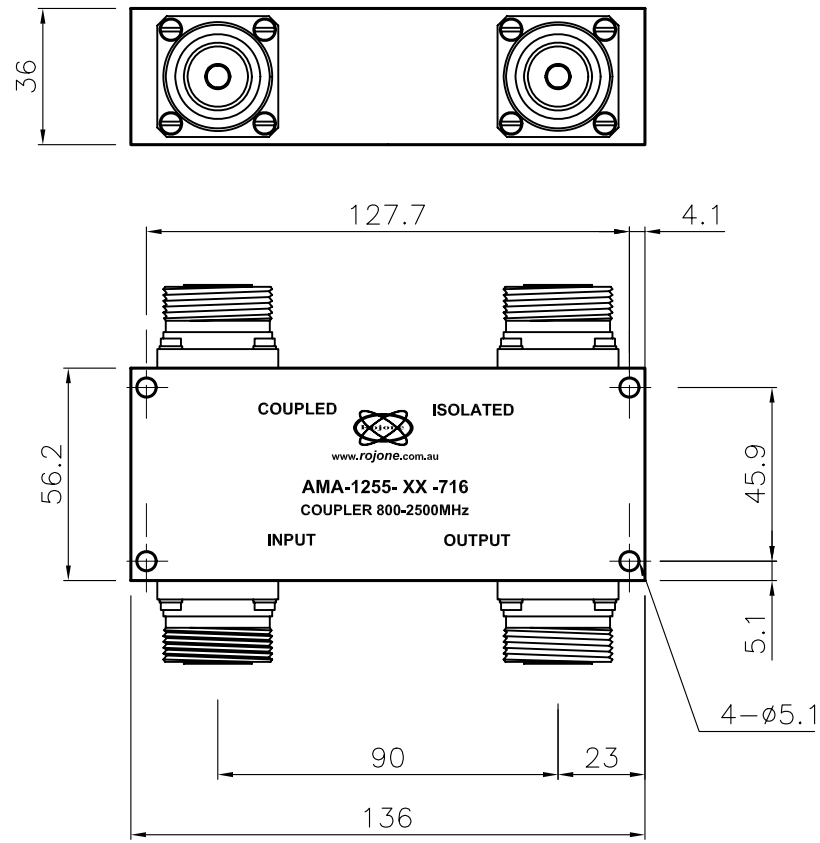


REVISIONS		
ISS	ZONE	DESCRIPTION/PER REQUEST
b		Modified spec
c		Add 46dB

3rd ANGLE PROJECTION THIS DOCUMENT AND THE DESIGN SHOWN THEREON IS THE PROPERTY OF ROJONE PTY LTD AND MUST NOT BE SOLD, LENT, GIVEN AWAY, COPIED, REPRODUCED OR OTHERWISE DIVULGED TO ANY THIRD PARTY OR USED FOR MANUFACTURE. OR ANY OTHER PURPOSE WITHOUT DIRECT WRITTEN PERMISSION OF ROJONE PTY LTD.

DO NOT SCALE

A
B
C
D
E
F
G
H
I



SPECIFICATIONS for AMA-1255-XX-716

FREQUENCY RANGE: 0.8-2.5GHz
COUPLER TYPE: 4 PORT DIRECTIONAL
POWER HANDLING: 200W CW (@25°C)
COUPLING VALUE: 3,4,8,6,7,8,9,10,13,15,20,30 & 46dB
DIRECTIVITY: 20dB (Typ)
RETURN LOSS: <-20dB (Typ)
AMP BALANCE: < ± 0.5dB
IM: <-150dBc@43dBmx2
-155dBc Typ
DISSIPATIVE LOSS: <0.3dB (typ)
OPERATING TEMPERATURE: -40° TO +65° CELCIUS
RF CONNECTOR: DIN 716 - F
Environmental Class: IP 65
HUMIDITY: <99% NO CONDENSATION
WEIGHT: 820 GRAMS ALUMINIUM HOUSING (WITHOUT LOAD)
 1700 GRAMS BRASS HOUSING (WITHOUT LOAD)

Coupling Value:	Through Loss (typ.):
3dB	3.17dB
4.8dB	1.90dB
6dB	1.41dB
7dB	1.12dB
8dB	0.90dB
9dB	0.73dB
10dB	0.61dB
12dB	0.43dB
13dB	0.37dB
15dB	0.29dB
18dB	0.22dB
20dB	0.19dB
30dB	0.15dB
46dB	0.1 dB

NOTES:

- 1/ ROJONE PART No. DESIGNATION AMA-1255-XX-716
eg. 6, 10, 15, ETC (COUPLING VALUE)
- 2/ UNUSED PORTS MUST BE TERMINATED WITH 50 Ohm LOADS.
- 3/ COUPLERS ARE DESIGNED FOR LOW INTERMODULATION OPERATION.
- 4/ PRODUCTS ARE RoHS COMPLIANT.

ROJONE PTY LTD ACN 002691241 44 AERO RD INGLEBURN 2565 SYDNEY, AUSTRALIA Ph: (612) 9829 1555 Fax: (612) 9605 8812 Web: www.rojone.com.au E-mail: sales@rojone.com.au		TITLE 800-2500MHz AMA-1255-XX-716 DIN-TYPE INTERFACE DRAWING	
MATERIAL ALUMINIUM &/OR BRASS HOUSING & COVER		DRAWN Y. GU	
FINISH POLYURETHANE AS2700 N42 STORM GREY		CHECKED H. JIA	
UNLESS OTHERWISE STATED ALL DIMENSIONS ARE IN MILLIMETRES (mm) TOLERANCE: LINEAR ±0.1 ANGULAR ±1° REMOVE ALL BURRS AND SHARP EDGES		APPROVED B. G.	
		DRWG No: 001001450167	
		SCALE 1:1 SHEET 1 OF 1	
		FILENAME 001001450167ISSC.DWG	

REVISION	DATE	CHECKED
A	11-12-2006	H. JIA
b	22-08-2007	H. JIA
C	2011-03-17	H. JIA