



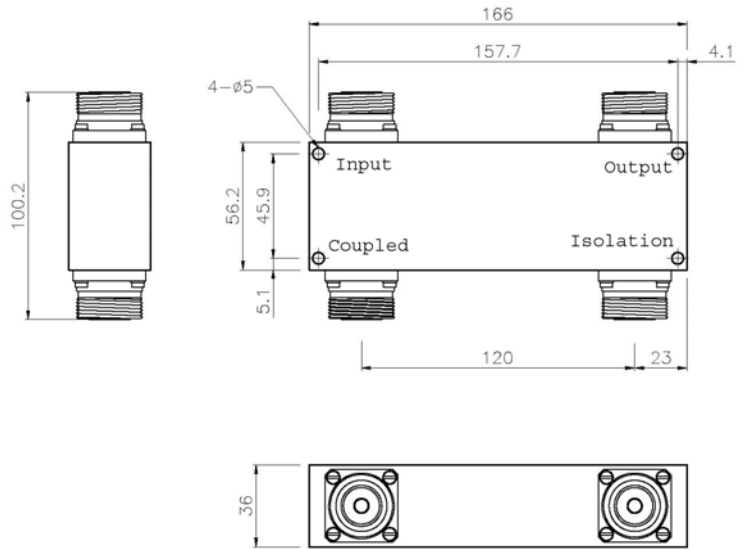
AMA-1119-XX-716 380-2700MHz Coupler

AMA-1119-XX-716 Series wide band couplers are designed for in-building radio systems to provide the coverage from 380 to 2700MHz.

Specification

Op. Frequency Range: 380 – 2700 MHz
 RF Coupling: 3dB +/- 1dB
 6dB +/- 1dB
 10dB +/- 1dB
 13dB +/- 1dB
 15dB +/- 1dB
 Directivity: > 15dB
 Return Loss: <-18dB (0 – 2700MHz)
 Input RF Power: 200 Watts (max.)
 Op. Temp. Range: -40 to + 85 C
 Humidity: < 95%
 RF Connectors: Din 716-F 50 Ohm
 IM: < -150dBc @ 43dBm x 2
 Size: 166x57x36 mm+ Conn.
 Weight: 1.1 Kg Approx.

Mechanical Layout:



Test Result



Typical Test Result of 3dB Coupler from 300 to 2700MHz