

UHF 2 Way Power Divider



FEATURES

- **100 Watts Average**
- **Flat Response**
- **N Female Connectorised**

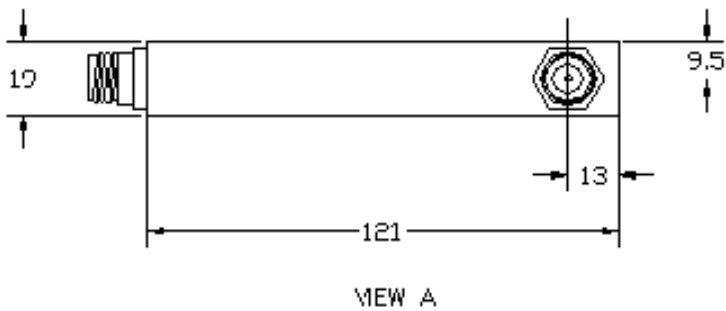
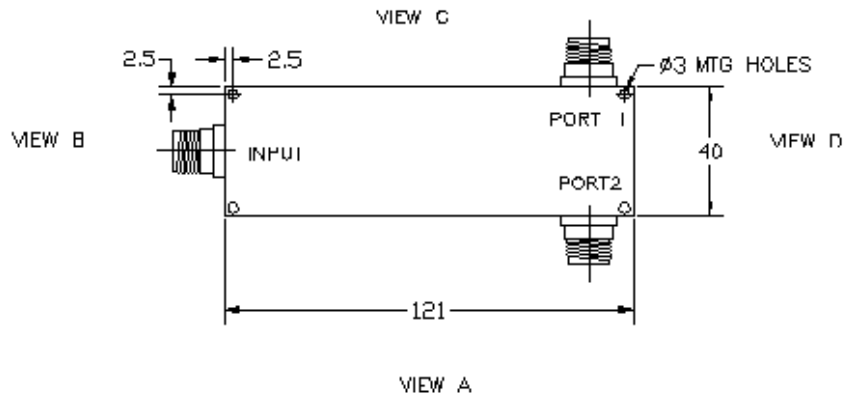
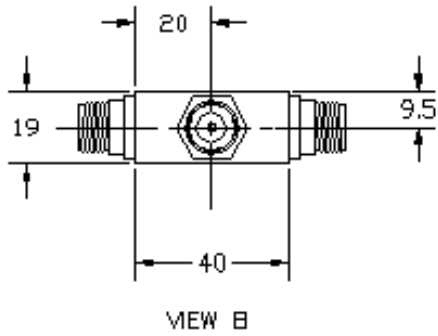
The AMA-2100 2 Way Dividers are specifically designed for UHF 380-520 MHz in-building distribution of paging and two way networks signals.

Specifications

Part Number	AMA-2100-2N	AMA-2100-2N-HP
Power	100 Watts	200 Watts
Frequency Range	380 to 520 MHz	
Number of Ports	2 Port	
Isolation	20dB Minimum	
Insertion Loss	0.5dB Typical	
Amplitude Balance	< 0.2dB	
Phase Balance	< 2 Degrees	
VSWR	1.22:1 Max	
Impedance	50 Ohms	
Connector Type	N Female	
Package Size	121 x 40 x 19mm	
Weight	Alum 270g or Brass 520g	



Mechanical Outline Drawing



Temperature Range 0 to +60 degrees C.
 Peak Power for all our devices is 3KW @ 1% duty cycles.
 All products have a Storm Gray Polyurethane painted finish.

Recommended coupling torque force for N connector 40 to 60 Ncm.

Note: Over tightening the connectors may damage the connector.
 To stripline transition internally, please take care.