

High Gain Omni Directional Antenna for 5500 - 5825 MHz

Version 2

SAA04-200280

Electrical Specification

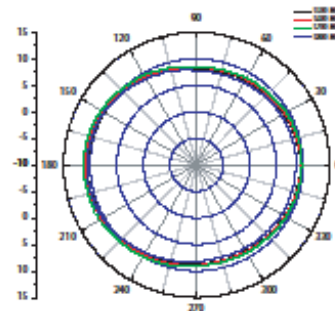
Frequency range	5500 - 5825 MHz
Gain	10.0 dBi
VSWR	2.0 : 1 (Max.)
Polarization	Linear, vertical
HPBW / horizontal	360°
HPBW / vertical	7°
Downtilt	2°
Power handling	20 W (cw)
Impedance	50 Ohm
Connector	N jack



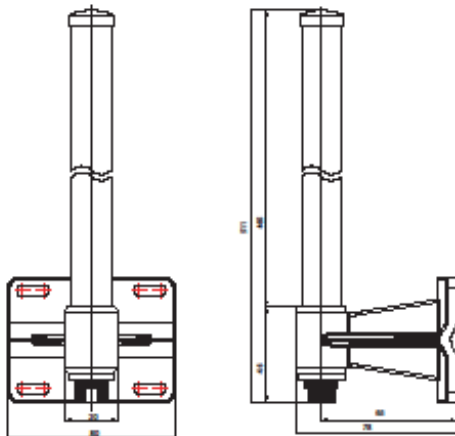
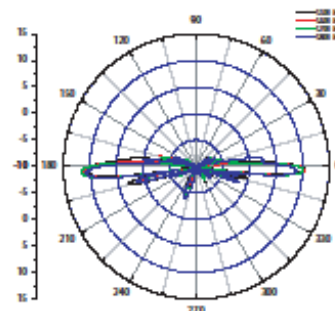
Environmental & Mechanical Characteristics

Survival wind speed	218 km/hr
Temperature	- 40°C to +80°C
Humidity	95% @ 55° C
Radome color	Gray
Radome material	Fiber glass, UV resistant
Weight	0.27 kg
Dimension	80 x 78 x 511 mm

H-plane Co-polarization Pattern @ downtilt 2



V-plane Co-polarization Pattern



Proudly one of Australia's top 100 Professional & Military Electronics, GPS, RF & Telecommunications companies

PO Box 1, Casula NSW 2170 – 44 Aero Road, Ingleburn NSW 2565 Australia
T 61 2 9829 1555 – F 61 2 9605 8812 – E sales@rojone.com.au – www.rojone.com.au