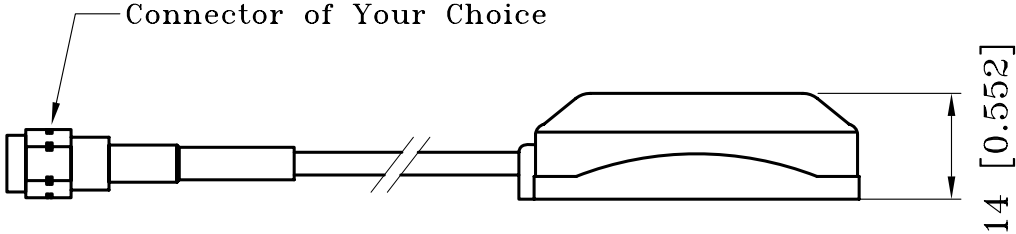
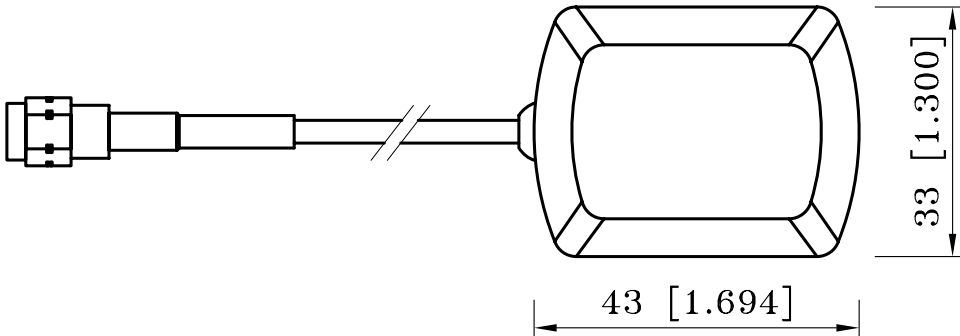



1	2	3	4	5	6	7	8	9	10	11	12			
REVISIONS		3rd ANGLE PROJECTION	THIS DOCUMENT AND THE DESIGN SHOWN THEREON IS THE PROPERTY OF ROJONE PTY LTD AND MUST NOT BE SOLD, LENT, GIVEN AWAY, COPIED, REPRODUCED OR OTHERWISE DIVULGED TO ANY THIRD PARTY OR USED FOR MANUFACTURE, OR ANY OTHER PURPOSE WITHOUT DIRECT WRITTEN PERMISSION OF ROJONE PTY LTD.									DO NOT SCALE		
ISS	ZONE	DESCRIPTION	PER REQUEST	DATE								REVISION	DATE	CHECKED
												A	20110927	L. G.
SPECIFICATION														
														
<p> FREQUENCY: 1575 MHz BAND WIDTH: 10 MHz AMPLIFIER GAIN: 28±3dB NOISE FIGURE: 1.5 dB TYP 1dB COMP PT: 0 dBm IMPEDANCE: 50 Ohm SUPPLY VOLTAGE: 3-5VDC@8-15mA TEMP RANGE: -40 to +85 °C CABLE: RG174/5M LG CONNECTORS: ADVISE CONNECTOR TYPE SMA,N, TNC, BNC,SMC,MCX etc All available incl. Reverse Polarity Conn. </p>														
PART NUMBER														
														
<p>A-GPS A 7 3 5 X P 5</p> <ul style="list-style-type: none"> 5 CABLE TAIL LG 5 METERS P PLUG S SOCKET S SMA B BNC M MCX T TNC N N O NO CONN 5 3-5 Volts 3 Magnetic Mount, Side Cable Exit 7 Micronav Antenna Model A Active 														
UNLESS OTHERWISE STATED ALL DIMENSIONS ARE IN MILLIMETRES (mm) TOLERANCE: LINEAR ±0.1 ANGULAR ±1° REMOVE ALL BURRS AND SHARP EDGES														
											ROJONE PTY LTD ACN 002691241 44 AERO RD INGLEBURN 2565 SYDNEY, AUSTRALIA Ph: (612) 9829 1555 Fax: (612) 9605 8812 Web: www.rojone.com.au E-mail: sales@rojone.com.au		TITLE 1575MHz L1 GPS ANTENNA A-GPSP735XP5	
MATERIAL AS PART					DRAWN Y. GU			DRWG No: 008329001065						
FINISH AS PART					CHECKED			SCALE 1:1		SHEET 1 OF 1				
					APPROVED			FILENAME 008329001065issa.DWG		A4				
1	2	3	4	5	6	7	8	9	10	11	12			