

3rd ANGLE PROJECTION

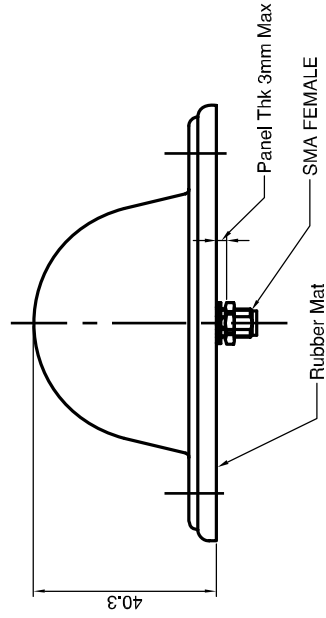
THIS DOCUMENT AND THE DESIGN SHOWN THEREON IS THE PROPERTY OF ROJONE PTY LTD AND MUST NOT BE SOLD, LENT, GIVEN AWAY, COPIED, REPRODUCED OR OTHERWISE DULGED TO ANY THIRD PARTY OR USED FOR MANUFACTURE, OR ANY OTHER PURPOSE WITHOUT DIRECT WRITTEN PERMISSION OF ROJONE PTY LTD.

DO NOT SCALE

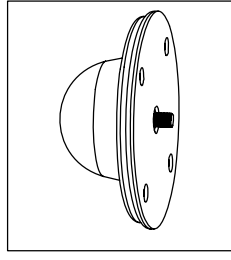
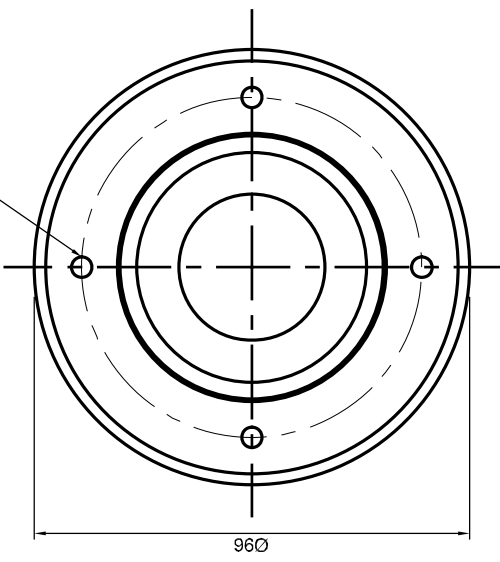
CHECKED

ISS ZONE	DESCRIPTION/PER REQUEST/DATE

REVISION	DATE	H. JIA
A	2011-04-20	



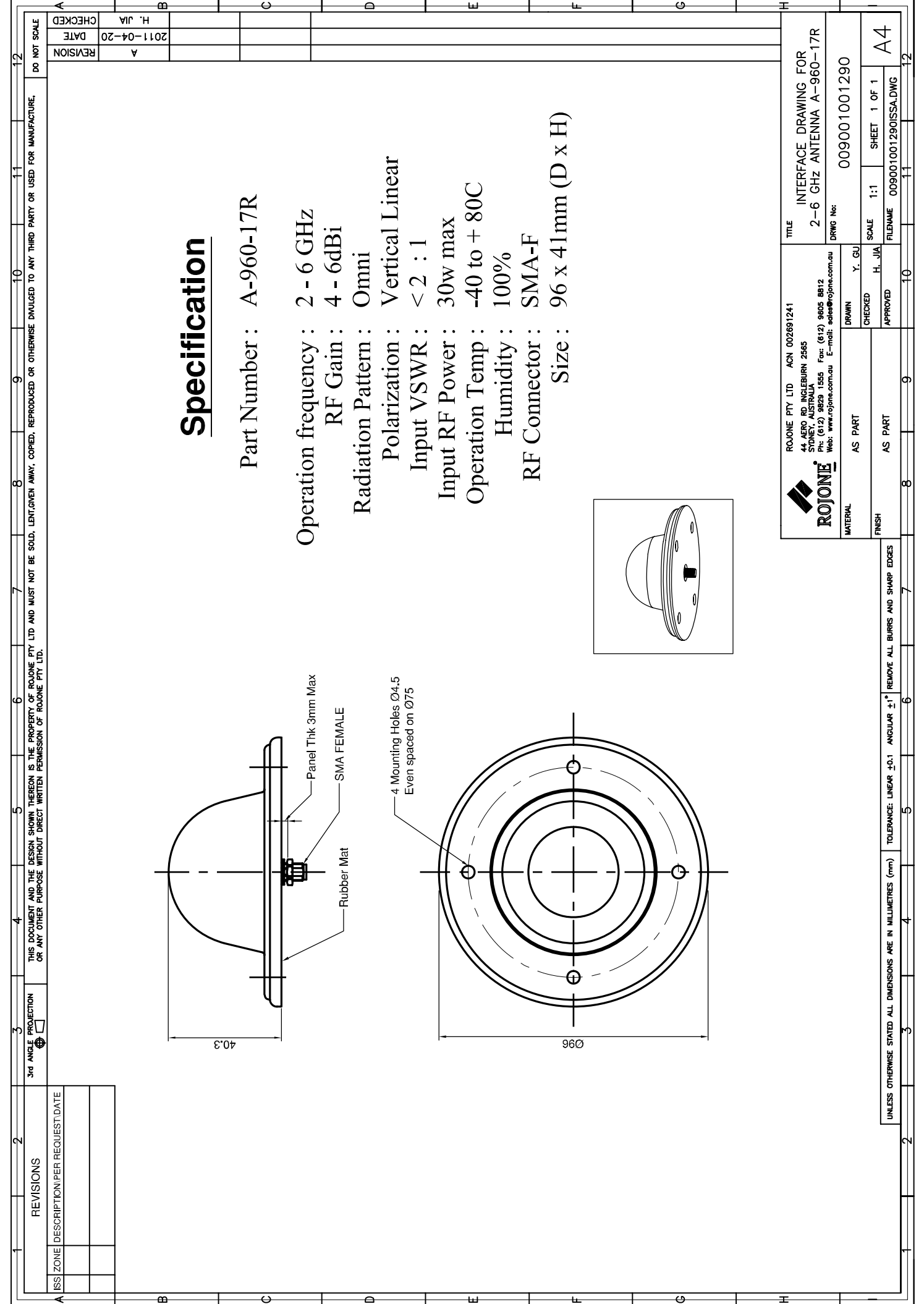
4 Mounting Holes $\varnothing 4.5$
Even spaced on $\varnothing 75$



Specification

- Part Number : A-960-17R
- Operation frequency : 2 - 6 GHz
- RF Gain : 4 - 6dBi
- Radiation Pattern : Omni
- Polarization : Vertical Linear
- Input VSWR : $< 2 : 1$
- Input RF Power : 30w max
- Operation Temp : -40 to + 80C
- Humidity : 100%
- RF Connector : SMA-F
- Size : 96 x 41mm (D x H)

<p>ROJONE PTY LTD ACN 002691241 44 AERO RD INGLEBURN 2565 SYDNEY, AUSTRALIA Ph: (612) 9629 1555 Fax: (612) 9605 8812 Web: www.rojone.com.au E-mail: sales@rojone.com.au</p>	<p>TITLE INTERFACE DRAWING FOR 2-6 GHz ANTENNA A-960-17R</p>	
	<p>DRWG No: 009001001290</p>	
<p>MATERIAL AS PART</p>	<p>FINISH AS PART</p>	<p>SCALE 1:1</p>
<p>DRAWN Y. GU</p>	<p>CHECKED H. JIA</p>	<p>SHEET 1 OF 1</p>
<p>APPROVED</p>		<p>FILENAME 009001001290ISSA.DWG</p>
<p>UNLESS OTHERWISE STATED ALL DIMENSIONS ARE IN MILLIMETRES (mm)</p>		<p>REMOVE ALL BURRS AND SHARP EDGES</p>



Typical Test Result for A-960-17R

