


SPECIFICATION


B/W: 100MHz@-15dB R/C
 R/L: -18dB (typ) 15dB Worst
 Freq Center: 2.35 GHz
 Gain: 2 dBi (Typ)
 3 dBi W/H Ground > 100x100mm
 Connector: N Male
 Style: Ground Independent dipole
 Suitable for external or internal use
 IP67 rating when mated

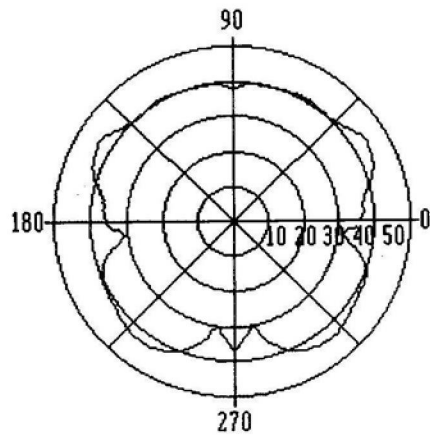
REVISIONS			
ISS	ZONE	DESCRIPTION/PER REQUEST	DATE

3rd ANGLE PROJECTION  THIS DOCUMENT AND THE DESIGN SHOWN THEREON IS THE PROPERTY OF ROJONE PTY LTD AND MUST NOT BE SOLD, LENT, GIVEN AWAY, COPIED, REPRODUCED OR OTHERWISE DIVULGED TO ANY THIRD PARTY OR USED FOR MANUFACTURE, OR ANY OTHER PURPOSE WITHOUT DIRECT WRITTEN PERMISSION OF ROJONE PTY LTD. DO NOT SCALE

REVISION	DATE	CHECKED
A	2010-09-14	B. G.

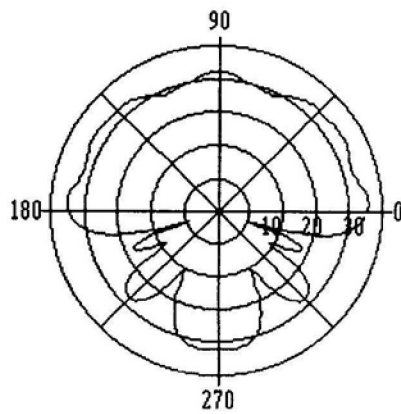
UNLESS OTHERWISE STATED ALL DIMENSIONS ARE IN MILLIMETRES (mm) TOLERANCE: LINEAR ± 0.1 ANGULAR $\pm 1^\circ$ REMOVE ALL BURRS AND SHARP EDGES

 ROJONE PTY LTD ACN 002691241 44 AERO RD INGLEBURN 2565 SYDNEY, AUSTRALIA Ph: (612) 9829 1555 Fax: (612) 9605 8812 Web: www.rojone.com.au E-mail: sales@rojone.com.au	TITLE 2.35GHz DIPOLE ANTENNA A-900-23-13A	
	DRWG No: 009001001277	
MATERIAL AS PART	DRAWN Y. GU	SCALE 1:1
FINISH AS PART	CHECKED B. G. APPROVED B. G.	SHEET 1 OF 1
FILENAME 009001001277issg.DWG		A4



Magnitude (dB) Vs Elevation (Deg)

2 dBi Gain @ No Ground Plane Full Elevation at 2.35GHz



/ 0 Deg Az

Magnitude (dB) Vs Elevation (Deg)

3 dBi Gain @ With Ground Plane at 2.35GHz