

350-2500MHz Super Broadband MicroCell Antenna

FEATURES

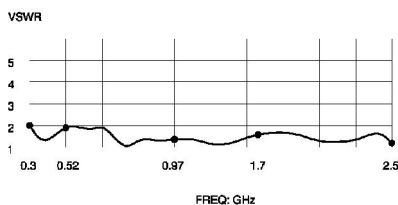
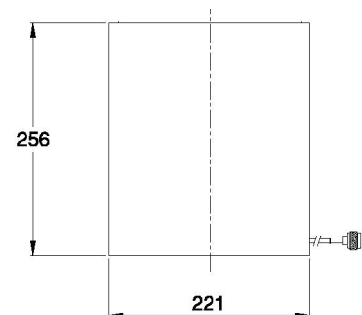
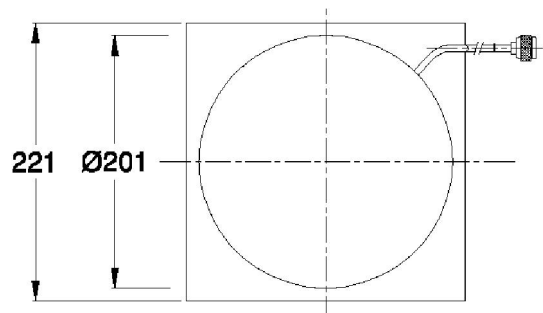
- Full 350-2500 MHz Operation
- Input Power 100 Watts Max
- Low Cost – Small & Light Weight, Easy to Install

The A-470 is the most unique & versatile in-building antenna on the market today.

This one antenna is specifically designed for in-building passive distribution of a large variety of communications signals from paging, to emergency services frequencies, cellular and WLAN. The antenna is constructed from lightweight materials, and designed for installation into ceiling cavities and above suspended tile ceiling structures.

Specifications

Part Number	A-470-ICM-NF
Frequency Range	350 to 2500 MHz
Gain	3~6.5dBi Nominal
VSWR	< 2:1
Impedance	50 Ohm
Polarisation	Linear
Radiation	Omni Directional
Horizontal 3dB BW	360 Degrees
Vertical 3dB BW	75 – 90 Degrees
Max Input Power	100 Watts Max
Loss Thru	< 0.1dB over 350 to 2500MHz
Ceiling Tile	
Dimensions	256 high x 221 x 221mm
Weight	600 Grams Max
Mounting	To be placed in ceiling cavity or on top of ceiling tile. No mechanical fixing required.



- 400MHz
- 800MHz
- 1800MHz
- 2500MHz

