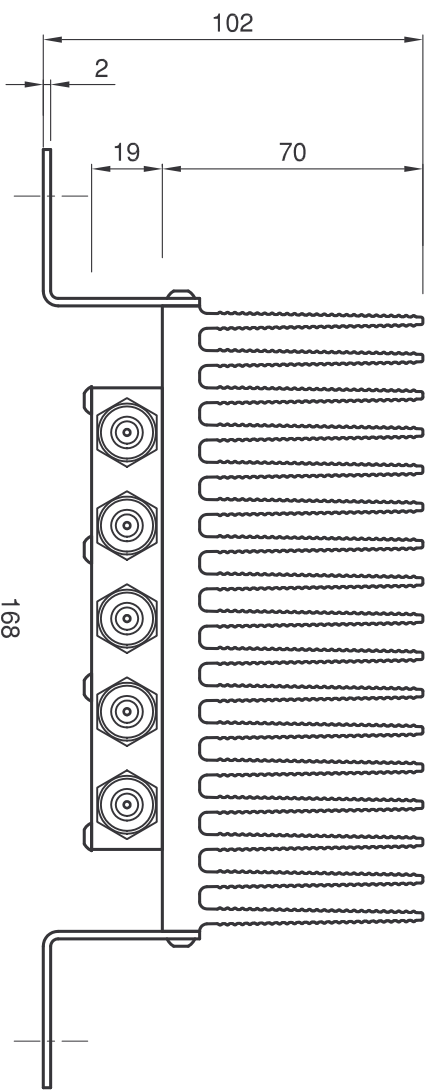
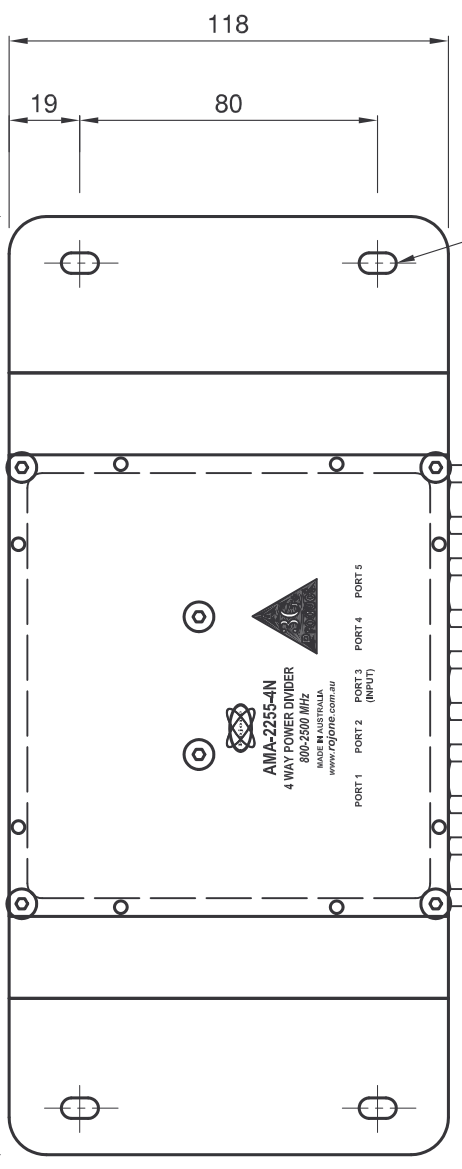


1	2	3	4	5	6	7	8	9	10	11	12
REVISONS		3rd ANGLE PROJECTION	THIS DOCUMENT AND THE DESIGN SHOWN THEREON IS THE PROPERTY OF ROLONE PTY LTD AND MUST NOT BE SOLD, LENT, GIVEN AWAY, COPIED, REPRODUCED OR OTHERWISE DIVULGED TO ANY THIRD PARTY OR USED FOR MANUFACTURE. DO NOT SCALE								
ISSI ZONE	DESCRIPTION/PER REQUEST/DATE										
B	Change input power per port to 40W										



- SPEC for AMA-2255-4N-HP**
- Frequency: 800-2500MHZ
 - Number of Ports: 4 Ports
 - Isolation: > 20 dB
 - Amplitude Balance: < ±0.2dB
 - Phase Balance: < ±5°
 - VSWR/Retrun Loss: 1.22:1 Max/-20dB Min
 - Thru Loss: 6.3dB Typ
 - Max Input RF Power: 50W Peak
 - per port as Combiner: 40W CW with Heatsink
 - Average Power as Divider: 200W CW @20dB RL
 - Impedance: 50 Ohms
 - Connector Type: N-F
 - Operating Temp Range: -30 to +60 °C
 - Size: 252x118x102mm +Conn.



ROLONE PTY LTD ABN: 69 002 691 241
 81 AERO RD INGLEBURN 2565
 SUDLEY, AUSTRALIA Ph: (012) 9829 1555 Fax: (612) 9805 8812
 Web: www.rolone.com.au E-mail: sales@rolone.com.au

TITLE 4 WAY HIGH POWER DIVIDER OR COMBINER WITH HEATSINK
 AMA-2255-4N-HP

1	2	3	4	5	6	7	8	9	10	11	12
UNLESS OTHERWISE STATED ALL DIMENSIONS ARE IN MILLIMETRES (mm)											
TOLERANCE: LINEAR ±0.1 ANGULAR ±1° REMOVE ALL BURRS AND SHARP EDGES											
FINISH		MATERIAL		DRAWN		CHECKED		APPROVED		SCALE	
N/A		N/A		Y. GU		H. JIA		B. G.		1:1	
FILENAME 0020042500481SSB.DWG										SHEET 1 OF 1	
DRAWG No: 002004250048										A2	