

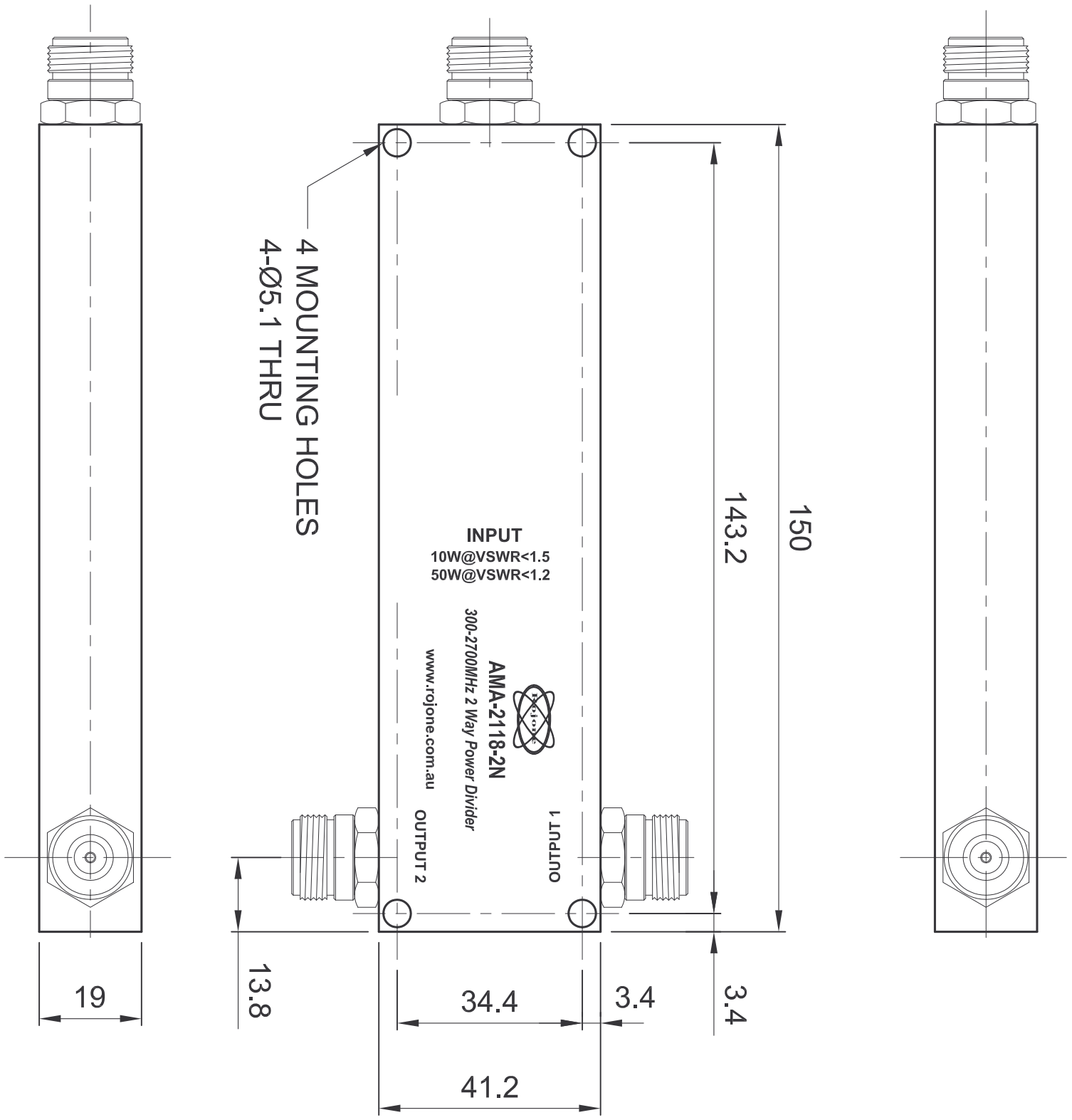
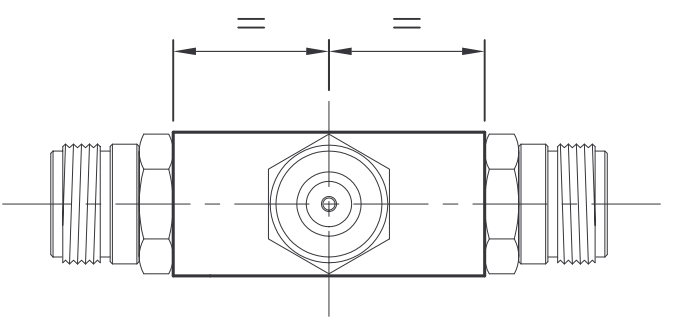
1 2 3 4 5 6 7 8 9 10 11 12

3<sup>rd</sup> ANGLE PROJECTION

THIS DOCUMENT AND THE DESIGN SHOWN THEREON IS THE PROPERTY OF ROJONE PTY LTD AND MUST NOT BE SOLD, LENT, GIVEN AWAY, COPIED, REPRODUCED OR OTHERWISE DIVULGED TO ANY THIRD PARTY OR USED FOR MANUFACTURE.

DO NOT SCALE

REVISIONS	
ISS ZONE	DESCRIPTION/PER REQUEST/DATE



ROJONE PTY LTD ACN 002691241  
61 AERO RD INGLEBURN 2565  
SYDNEY, AUSTRALIA  
Ph: (612) 9829 1555 Fax: (612) 9605 8812  
Web: www.rojone.com.au E-mail: sales@rojone.com.au

TITLE  
2 WAY DIVIDER 300-2700MHZ  
AMA-2118-2N

DRWG No:  
002002400011

1	2	3	4	5	6	7	8	9	10	11	12
ALL SPECIFICATIONS SUBJECT TO CHANGE		UNLESS OTHERWISE STATED ALL DIMENSIONS ARE IN MILLIMETRES (mm)		TOLERANCE: LINEAR $\pm 0.1$ ANGULAR $\pm 1^\circ$		REMOVE ALL BURRS AND SHARP EDGES		MATERIAL ALUMINIUM &/OR BRASS HOUSING & COVER		FINISH PAINT	
DRAWN Y. GU		CHECKED B. G.		APPROVED B. G.		SCALE 1:1		SHEET 1 OF 1		FILENAME 002002400011ISSA.DWG	
A3											