



# A-IGPSA82-24C18C

## Dual band Iridium/GPS Antenna

A combination active L1 GPS and passive iridium antenna, designed as a low cost high performance antenna to suit Satellite phone / data modem applications.

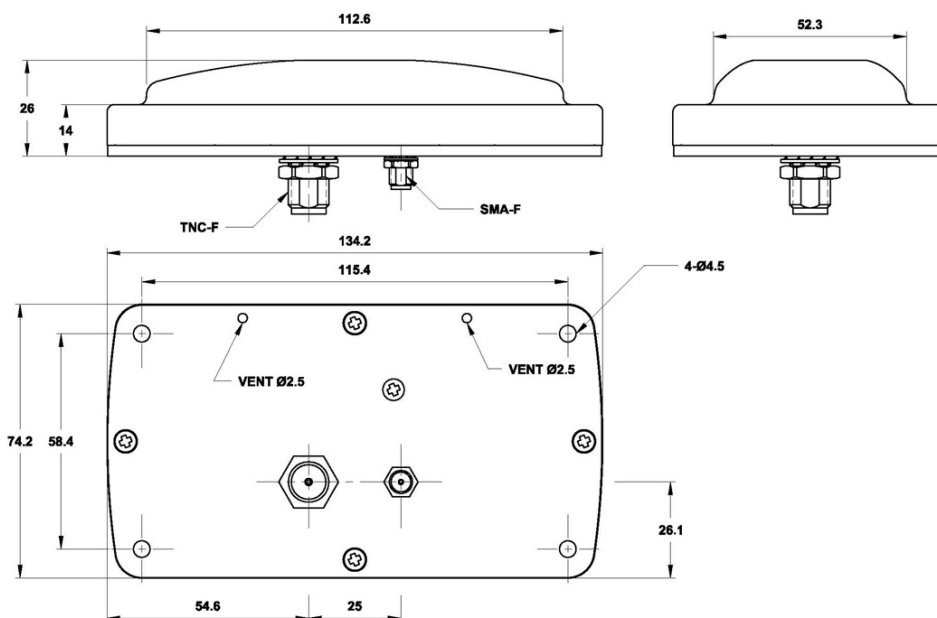


### Features

- Low noise amplifier ( LNA )with up to 39dBm of IPO3 for GPS.
- Built-in filters for both GPS and Iridium antennas
- Dual breather valves allow pressure equalization.
- Plated Aluminum base

### Specification

	GPS Antenna	IRIDIUM Antenna
Operating Frequency	1575 +/- 2MHz	1615 –1627 MHz
RF Gain	18dB typ	5dBic
Circularity	RHC	RHC
Noise Figure	1.5dB typ	N/A
Filtering	>50dB @ +/- 100MHz	>30dB @ +/- 100MHz
DC Power Supply	2.7 to 5v /28 –50mA	N/A
RF Connector	SMA-F	TNC-F
Return Loss	<-10dB	<-10dB
Max input RF Power	N/A	5W
Op temperature	-40 to +65C	
Humidity	100%	
Weight	290g	
Radome Colour	Grey or Black ABS	
Size	132 x 75 x 27mm	



**ROJONE PTY. LIMITED – AUSTRALIA**

[sales@rojone.com.au](mailto:sales@rojone.com.au)

[www.rojone.com.au](http://www.rojone.com.au)