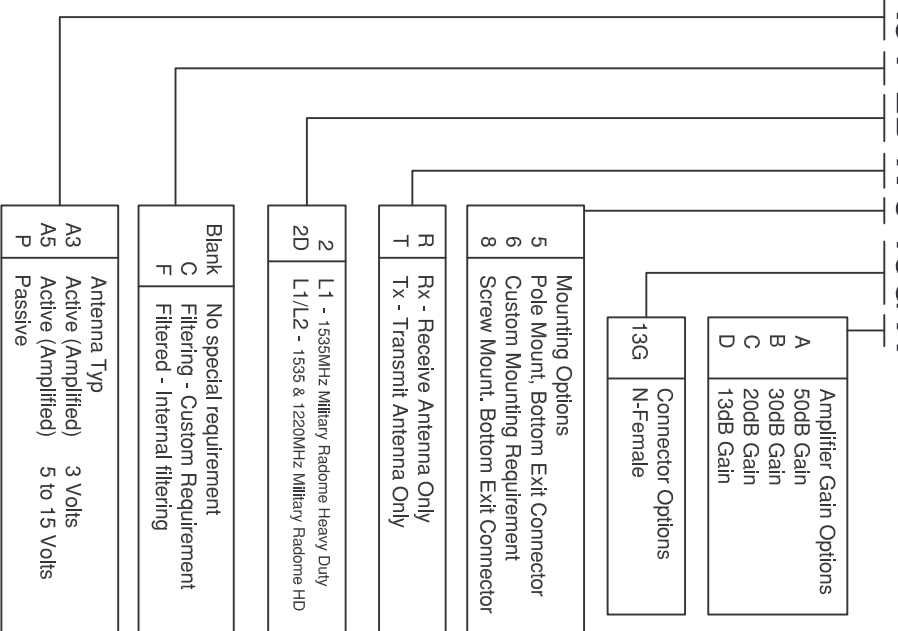
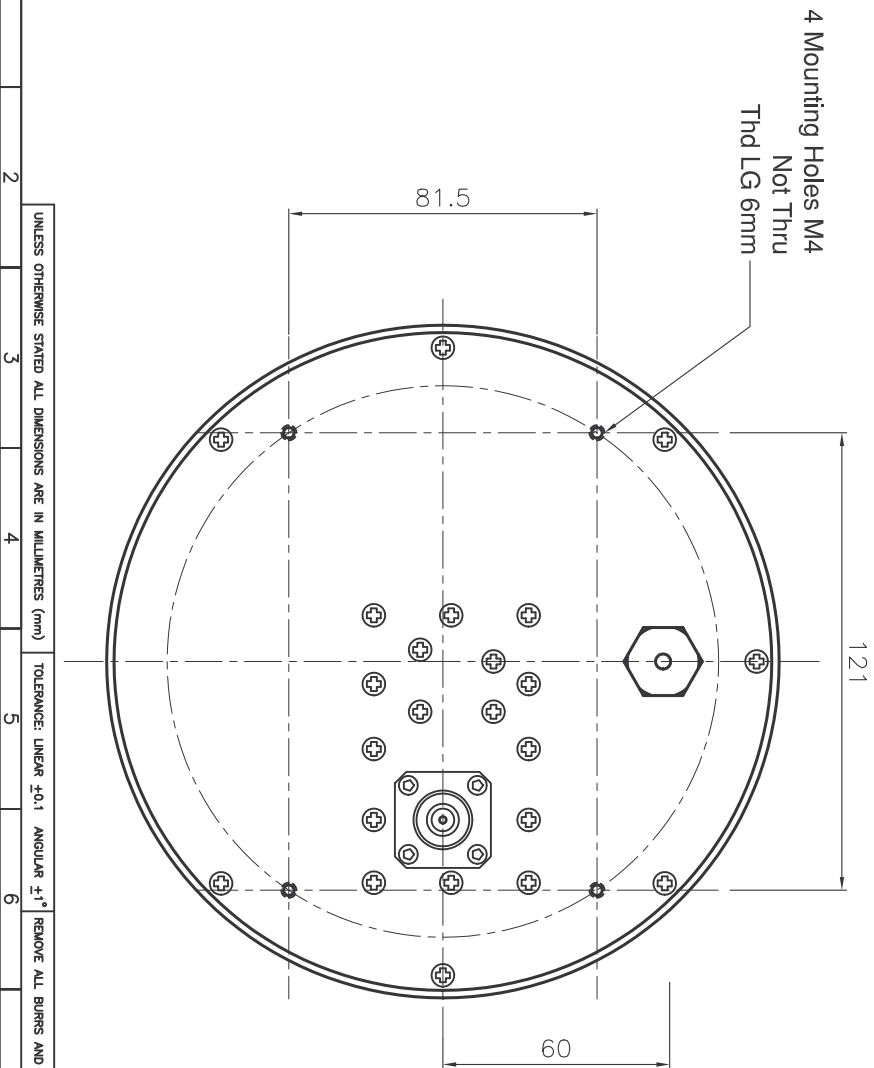
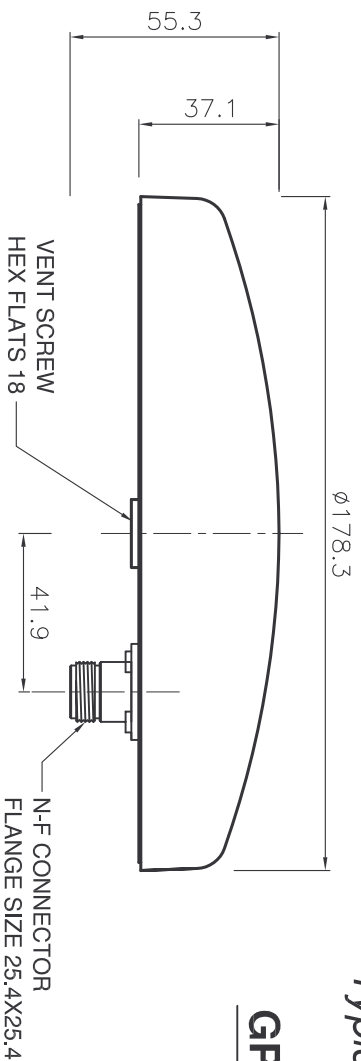


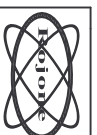
REVISIONS		3rd ANGLE PROJECTION	THIS DOCUMENT AND THE DESIGN SHOWN THEREON IS THE PROPERTY OF ROJONE PTY LTD AND MUST NOT BE SOLD, LENT, GIVEN AWAY, COPIED, REPRODUCED OR OTHERWISE DIVULGED TO ANY THIRD PARTY OR USED FOR MANUFACTURE. DO NOT SCALE	
A	ISS ZONE DESCRIPTION/PER REQUEST/DATE		THIS DOCUMENT AND THE DESIGN SHOWN THEREON IS THE PROPERTY OF ROJONE PTY LTD AND MUST NOT BE SOLD, LENT, GIVEN AWAY, COPIED, REPRODUCED OR OTHERWISE DIVULGED TO ANY THIRD PARTY OR USED FOR MANUFACTURE. DO NOT SCALE	
E	NEW DESIGN			
F	Add part number spreadout			

Typical Part Number Spreadout

GPS A5 F 2D R 8 13G A



UNLESS OTHERWISE STATED ALL DIMENSIONS ARE IN MILLIMETRES (mm) TOLERANCE: LINEAR ±0.1 ANGULAR ±1° REMOVE ALL BURRS AND SHARP EDGES



ROJONE PTY LTD ACN 002691241
61 AERO RD INGLEBURN 2585
STONEY, AUSTRALIA
Ph: (012) 8629 1585 Fax: (012) 9605 8812
Web: www.rojone.com.au E-mail: sales@rojone.com.au

TITLE
INTERFACE DRAWING FOR GPS
L1 L2 AMP ANTENNA

DWG No: 008329AMP007

MATERIAL	N/A	DRAWN	Y. GU	SCALE	1:1	SHEET	1 OF 1
FINISH	N/A	CHECKED	H. JIA	FILENAME	008329AMP007ISSF.DWG		
		APPROVED	B. G.				

A2