

OPTION 01
TAJIMI R04-R8M

8 PIN CONN STD DESIGNATION
FOR TAJIMI R04-R8M CABLE LEGEND

No	PIN NAME	DESCRIPTION	NOTE	WIRE COLOR
1	A	TIMEMARK	TTL	ORANGE
2	B	TxA	RS232 LEVELS	WHITE
3	C	RxA	RS232 LEVELS	BROWN
4	D	RECEIVER GROUND	BLUE-NC	BLACK
5	E	GND	GND	RED
6	F	VCC	8 TO 30 VDC	GREEN-NC
7	G	POWER SUPPLY INPUT	8 TO 30 DC	YELLOW-NC
8	H			

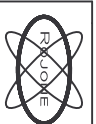
4 Holes Ø3.6 Thru
With C'Sunk

NOTE:

Connector: TAJIMI R04-R8M
Mating Connector: R04-P8F

NOTES

- 1/ BLACK NEOPRENE MOUNTING GASKET
- 2/ 20% TALC FILLED POLYPROPYLENE MAXINAV HOUSING
- 3/ OPTIONAL POLE MOUNT AVAILABLE (NOT SHOWN)
SEE INTERFACE DRAWING 008329001012



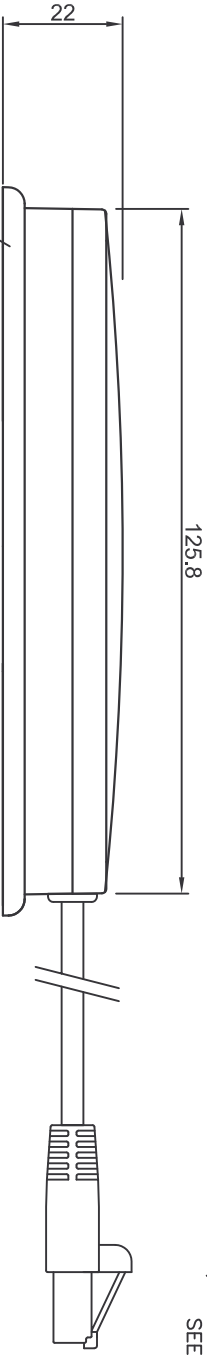
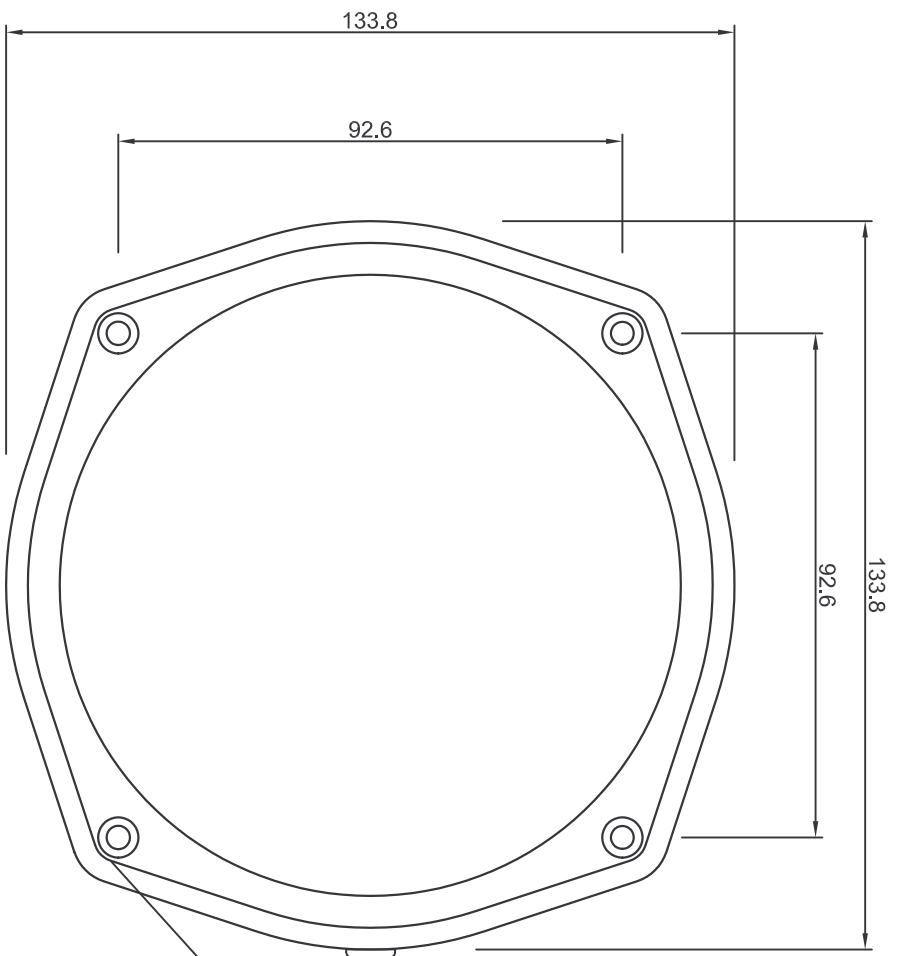
ROLONE PTY LTD ACN 002891241
81 AERO RD INGLEBURN 2560
SUNBET, AUSTRALIA
Ph: (012) 9829 1555 Fax: (012) 9805 9812
Web: www.rolone.com.au E-mail: sales@rolone.com.au

TITLE GENIUS MAXINAV STD OPTIONS
INTERFACE DRAWING
DRWG No: 008329001016

UNLESS OTHERWISE STATED ALL DIMENSIONS ARE IN MILLIMETRES (mm) TOLERANCE: LINEAR ±0.1 ANGULAR ±1° REMOVE ALL BURRS AND SHARP EDGES

MATERIAL	SEE NOTE	DRAWN	Y. GU	SCALE	1:1	SHEET	1 OF 5
FINISH	---	CHECKED	B. G.	FILENAME	008329001016SS05.DWG		
		APPROVED	B. G.				

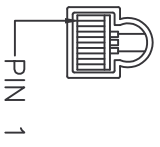
A3



**8 PIN CONN STD DESIGNATION
FOR RJ45 CABLE LEGEND**

**OPTION 02
8 PIN RJ45 CONN**

No	PIN NAME	DESCRIPTION	NOTE	WIRE COLOR
1	A	TIME/MARK OUTPUT, 1PPS	TTL	ORANGE
2	B	TXA	RS232 LEVELS	WHITE
3	C	RxA	RS232 LEVELS	BROWN
4	D	GND		BLUE-NC
5	E	GND		BLACK
6	F	VCC	8 TO 30 VDC	RED
7	G			GREEN-NC
8	H			YELLOW-NC

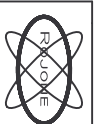


4 Holes $\phi 3.6$ Thru
With C'Sunk

NOTES

- 1/ BLACK NEOPRENE MOUNTING GASKET
- 2/ 20% TALC FILLED POLYPROPYLENE MAXINAV HOUSING
- 3/ OPTIONAL POLE MOUNT AVAILABLE (NOT SHOWN)
SEE INTERFACE DRAWING 008329001012

Rubber Gasket



ROLONE PTY LTD ACN 002891241
81 AERO RD INGLEBURN 2960
SUNBURY VIC 3088
Ph: (012) 9829 1555 Fax: (012) 9805 8812
Web: www.rolone.com.au E-mail: sales@rolone.com.au

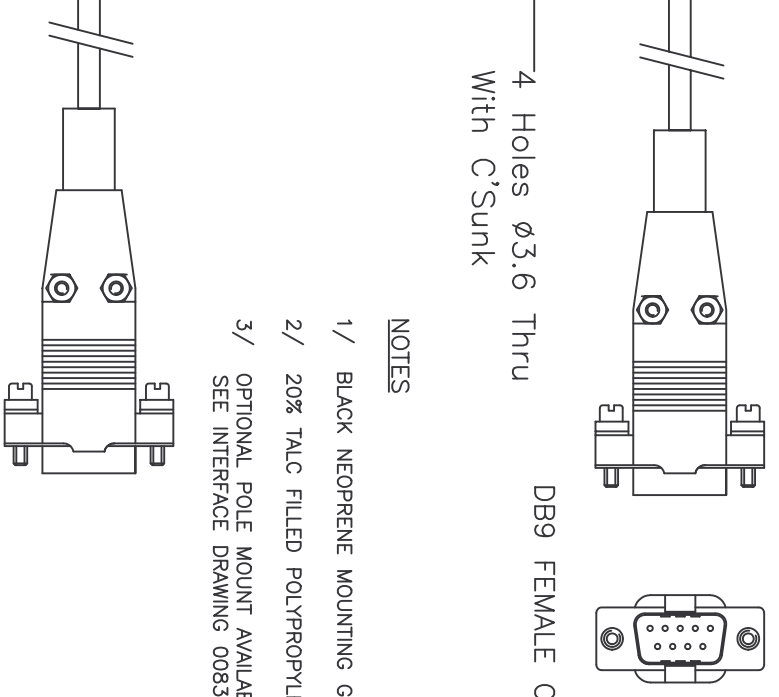
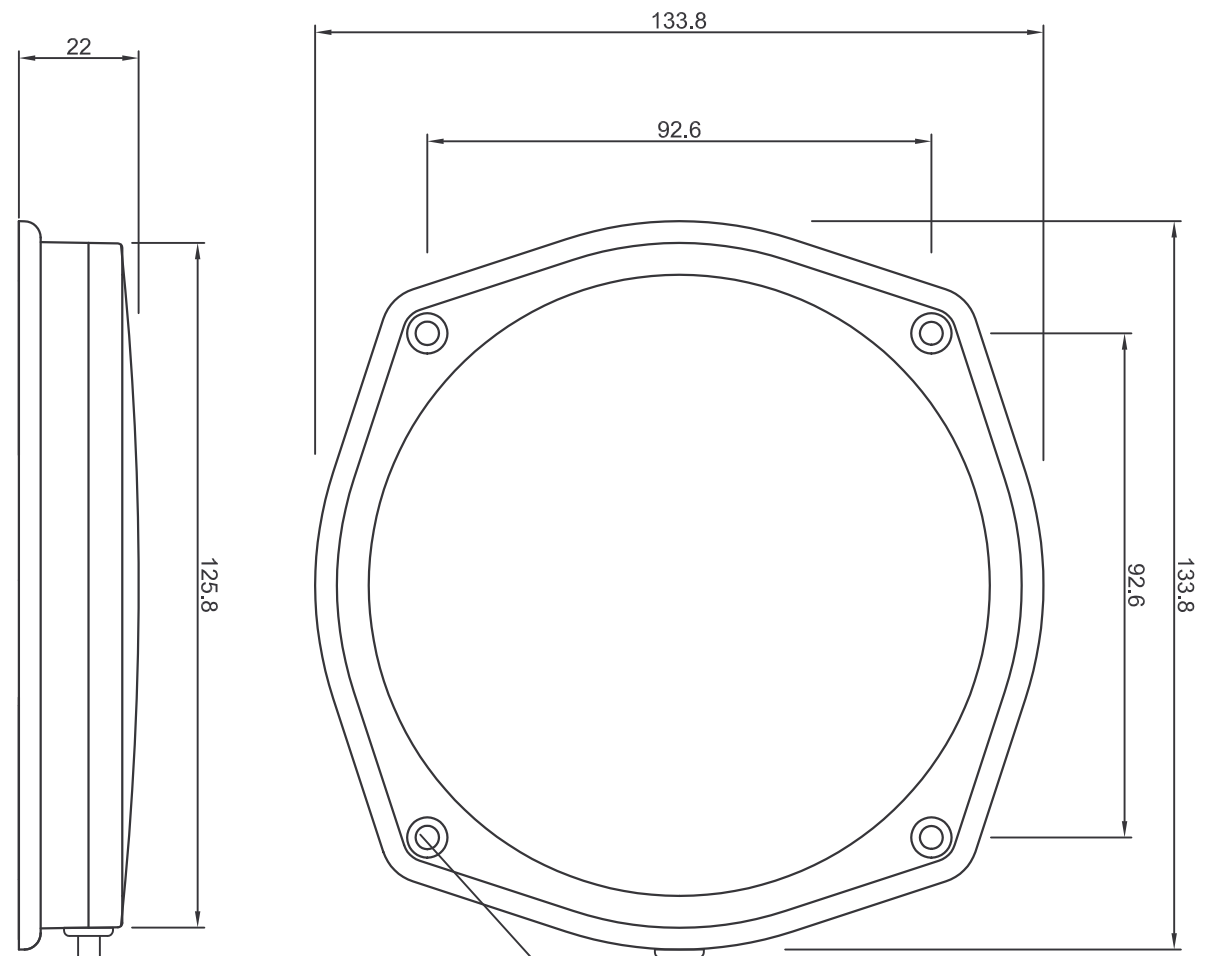
TITLE
**GENIUS MAXINAV STD OPTIONS
INTERFACE DRAWING**

DRWG No: 008329001016

UNLESS OTHERWISE STATED ALL DIMENSIONS ARE IN MILLIMETRES (mm) TOLERANCE: LINEAR ± 0.1 ANGULAR $\pm 1^\circ$ REMOVE ALL BURRS AND SHARP EDGES

MATERIAL	SEE NOTE	DRAWN	Y. GU	SCALE	1:1	SHEET	2 OF 5
FINISH	---	CHECKED	B. G.	FILENAME	008329001016SS05.DWG		
		APPROVED	B. G.				

A3



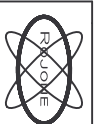
OPTION 03
DB9 FEMALE NON PC

No	NAME	DESCRIPTION	NOTE	WIRE COLOR
1	TIMEMARK	TIME MARK OUTPUT, 1PPS	TTL	ORANGE
2	TXA	MAIN SERIAL DATA OUTPUT	RS232 LEVELS	WHITE
3	RXA	MAIN SERIAL DATA INPUT	RS232 LEVELS	BROWN
4				BLUE-NC
5				GREEN-NC
6				YELLOW-NC
7	VCC	POWER SUPPLY INPUT	8 TO 30 VOLTS DC	WHITE-NC
8	GND	GROUND		RED
9				BLACK

4 Holes ϕ 3.6 Thru
With C'Sunk
DB9 FEMALE CONNECTOR

NOTES

- 1/ BLACK NEOPRENE MOUNTING GASKET
- 2/ 20% TALC FILLED POLYPROPYLENE MAXINAV HOUSING
- 3/ OPTIONAL POLE MOUNT AVAILABLE (NOT SHOWN)
SEE INTERFACE DRAWING 008329001012



ROLONE PTY LTD ACN 002891241
81 AERO RD INGLEBURN 2560
SOUTH AUSTRALIA
Ph: (012) 9829 1555 Fax: (012) 9805 8812
Web: www.rolone.com.au E-mail: sales@rolone.com.au

TITLE
**GENIUS MAXINAV STD OPTIONS
INTERFACE DRAWING**

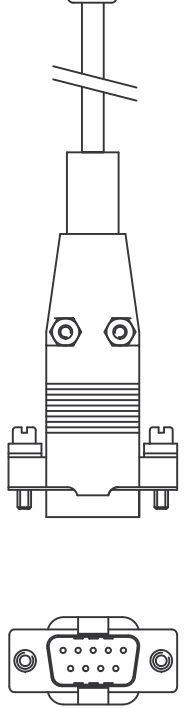
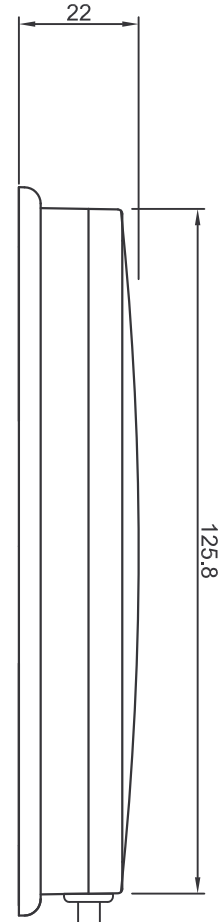
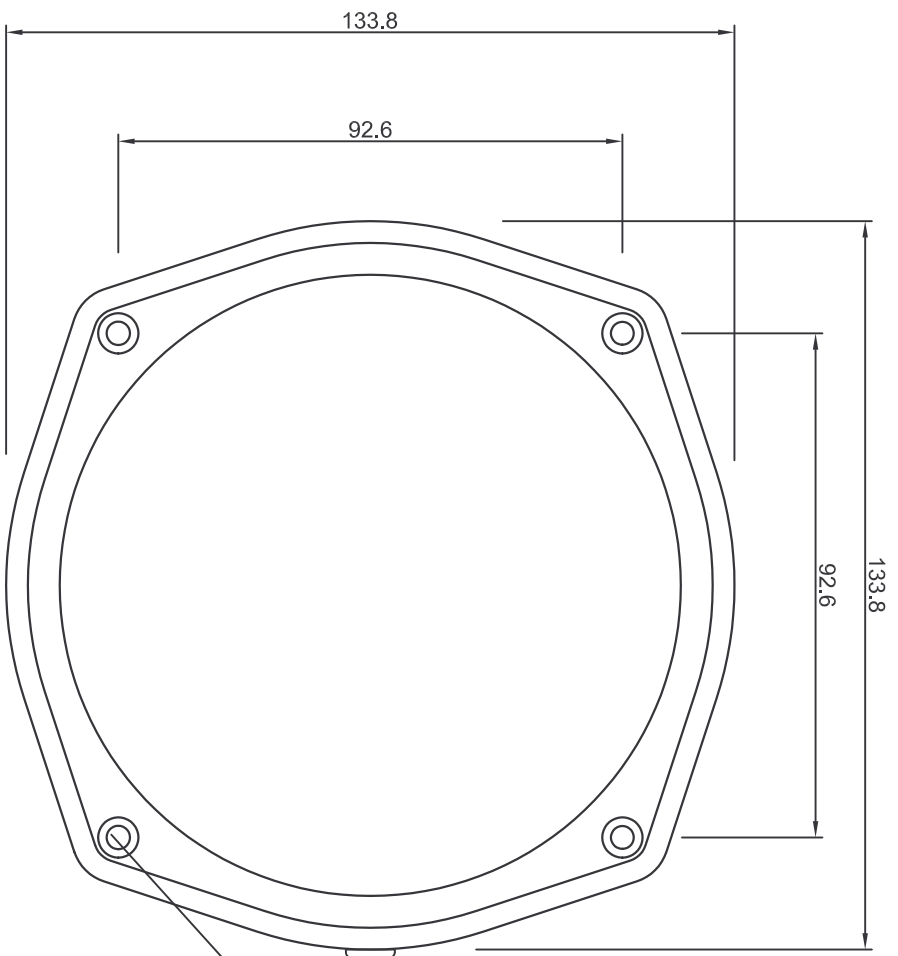
DRWG No: 008329001016

MATERIAL	SEE NOTE	DRAWN	Y. GU	SCALE	1:1	SHEET	3 OF 5
FINISH	---	CHECKED	B. G.	FILENAME	008329001016SS05.DWG		
		APPROVED	B. G.				

UNLESS OTHERWISE STATED ALL DIMENSIONS ARE IN MILLIMETRES (mm) TOLERANCE: LINEAR ± 0.1 ANGULAR $\pm 1'$ REMOVE ALL BURRS AND SHARP EDGES

OPTION 04
DB9 MALE NON PC

No	NAME	DESCRIPTION	NOTE	WIRE COLOR
1				WHITE-NC
2	RXA	MAIN SERIAL DATA INPUT	RS232 LEVELS	BROWN
3	TXA	MAIN SERIAL DATA OUTPUT	RS232 LEVELS	WHITE
4	TIMEMARK	TIME MARK OUTPUT, 1PPS	TTL	ORANGE
5	GND	RECEIVER GROUND	EXTRA GND	BLUE
6	GND	RECEIVER GROUND		YELLOW-NC
7	GND	POWER SUPPLY INPUT		BLACK
8	VCC	POWER SUPPLY INPUT	8 TO 30 VOLTS DC	RED
9				GREEN-NC

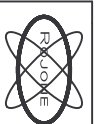


4 Holes ϕ 3.6 Thru
With C'Sunk

DB9 MALE CONNECTOR

NOTES

- 1/ BLACK NEOPRENE MOUNTING GASKET
- 2/ 20% TALC FILLED POLYPROPYLENE MAXINAV HOUSING
- 3/ OPTIONAL POLE MOUNT AVAILABLE (NOT SHOWN)
SEE INTERFACE DRAWING 008329001012



ROLONE PTY LTD ACN 002891241
81 AERO RD INGLEBURN 2560
SOUTH AUSTRALIA
Ph: (012) 9829 1555 Fax: (012) 9805 8812
Web: www.rolone.com.au E-mail: sales@rolone.com.au

TITLE
**GENIUS MAXINAV STD OPTIONS
INTERFACE DRAWING**

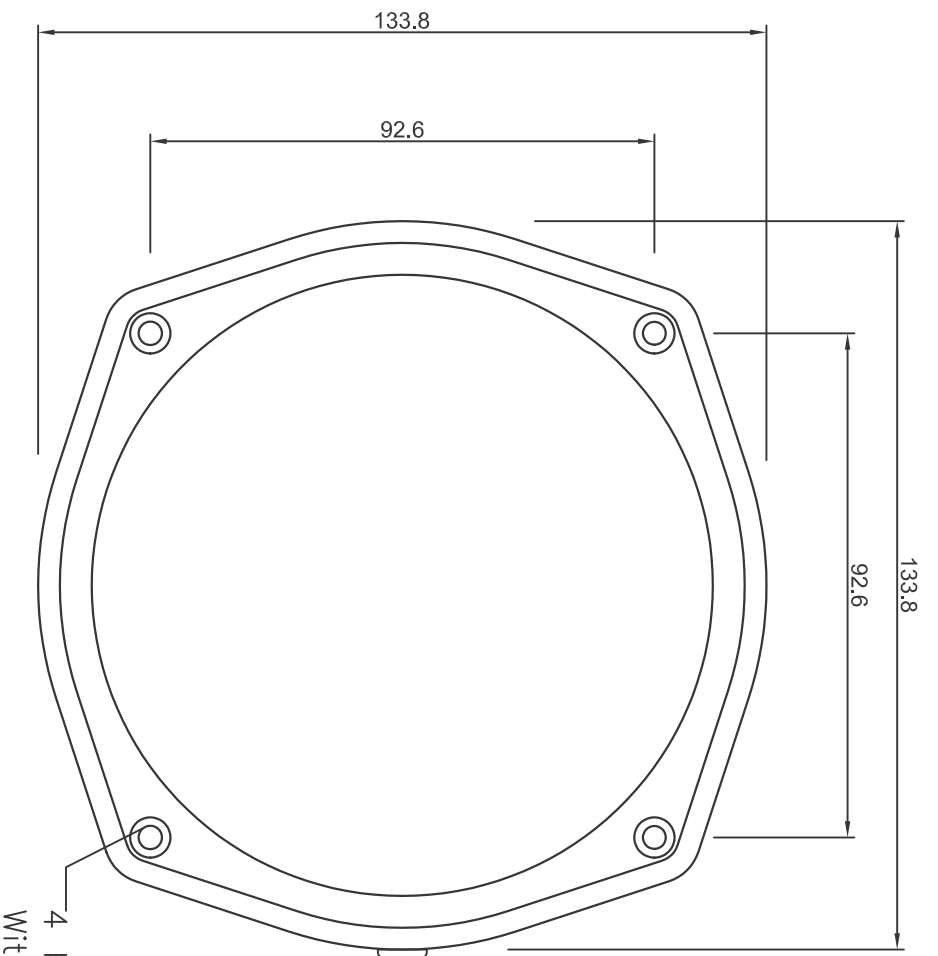
DRWG No: 008329001016

MATERIAL	SEE NOTE	DRAWN	Y. GU	SCALE	1:1	SHEET	4 OF 5
FINISH	---	CHECKED	B. G.	FILENAME	008329001016ISS05.DWG		
		APPROVED	B. G.				

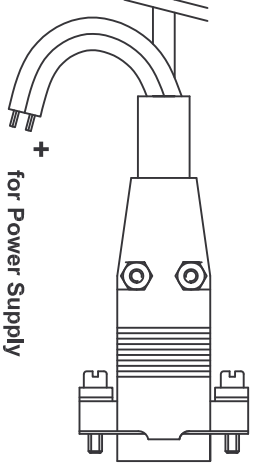
UNLESS OTHERWISE STATED ALL DIMENSIONS ARE IN MILLIMETRES (mm) TOLERANCE: LINEAR ± 0.1 ANGULAR $\pm 1^\circ$ REMOVE ALL BURRS AND SHARP EDGES

OPTION 05
FOR STD DB9 PC SERIAL PORT

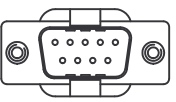
No	NAME	DESCRIPTION	NOTE	WIRE COLOR
1	TXA	MAIN SERIAL DATA OUTPUT	RS232 LEVELS	WHITE
2	RXA	MAIN SERIAL DATA INPUT	RS232 LEVELS	BROWN
3	GND	RECEIVER GROUND	GND	BLUE-NC
4	GND	RECEIVER GROUND	GND	BLACK
5	GND	RECEIVER GROUND	GND	BLACK
6	GND	RECEIVER GROUND	GND	BLACK
7	GND	RECEIVER GROUND	GND	BLACK
8	TIMEMARK	TIME MARK OUTPUT, 1PPS	TTL	ORANGE
9	TIMEMARK	TIME MARK OUTPUT, 1PPS	TTL	ORANGE



4 Holes $\phi 3.6$ Thru
 With C'Sunk

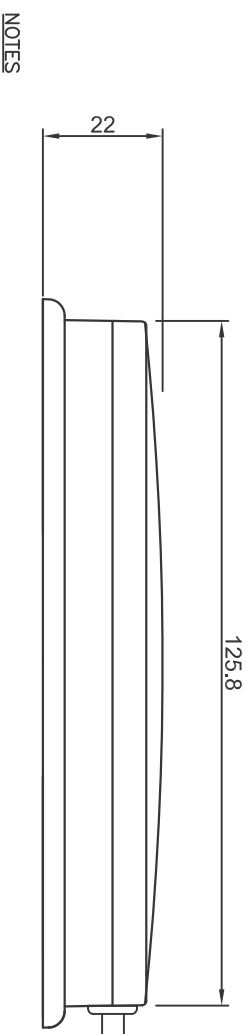


for Power Supply



DB9 M/F CONNECTOR
 (MALE CONNECTOR SHOWN)

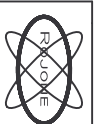
**NOTE: Power supply could be a Tajimi R05 series connector.
 (Pin A positive, Pin B negative) or a 12 volt car lighter adaptor.**



NOTES

- 1/ BLACK NEOPRENE MOUNTING GASKET
- 2/ 20% TALC FILLED POLYPROPYLENE MAXINAV HOUSING
- 3/ OPTIONAL POLE MOUNT AVAILABLE (NOT SHOWN)
 SEE INTERFACE DRAWING 008329001012

UNLESS OTHERWISE STATED ALL DIMENSIONS ARE IN MILLIMETRES (mm) TOLERANCE: LINEAR ± 0.1 ANGULAR $\pm 1^\circ$ REMOVE ALL BURRS AND SHARP EDGES



ROLONE PVT LTD ACN 002891241
 81 AERO RD INGLEBURN 2560
 STONEY AVE
 PH: (012) 9829 1555 Fax: (612) 9805 9812
 Web: www.rolone.com.au E-mail: sales@rolone.com.au

TITLE GENIUS MAXINAV STD OPTIONS
 INTERFACE DRAWING
 DWG No: 008329001016

MATERIAL	SEE NOTE	DRAWN	Y. GU	SCALE	1:1	SHEET	5 OF 5
FINISH	---	CHECKED	B. G.	FILENAME	008329001016SS05.DWG		
		APPROVED	B. G.				