

MC-CARD Lucent Special



GENERAL SPECIFICATIONS

Microminiature Coaxial Connector
Snap-on mating

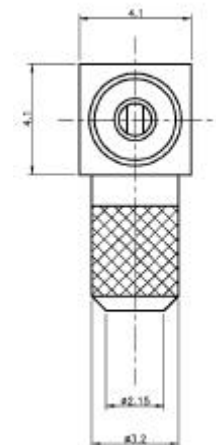
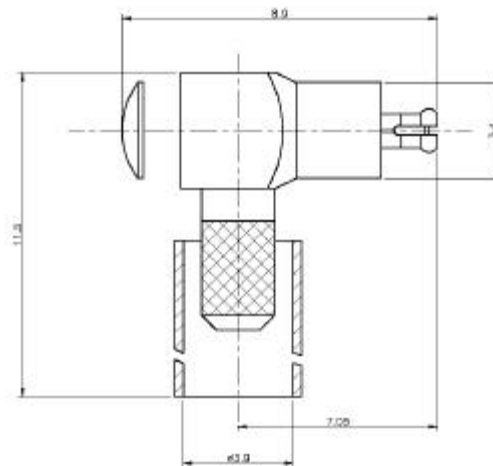
APPLICATIONS

Modems PCMCIA and ISA Card
WLAN
Antenna connectors PMR / TETRA

ELECTRICAL SPECIFICATION

Nominal Impedance	50 Ohms
Frequency Range	DC to 3 GHz
VSWR	$1.15 + 0.15 \times F(\text{GHz})$ Max
Temperature Range	-25 to +125 Degrees C
RF Insertion Loss	0.07 S F(GHz) dB Max
Voltage Rating	100 V Max
Dielectric Withstanding Volt	250 V Min
Insulation Resistance	5000 m min
Mechanical Durability	5000 Cycles
Plating Finish	Gold over Nickel
Suitable for Cable	3mm Filotex 296769 – 50Ohm VMTX or LMR100PVC or RG174/U 2mm RG178 or RG196 Coaxial Cable

* Special tool required, recommend purchase of cable assemblies



PART NUMBER	:	R 299 792 000
DESCRIPTION	:	Cable Plug Right Angle, Crimp Style to suit 3mm Cable
PART NUMBER	:	R 299 792 107
DESCRIPTION	:	Cable Plug Right Angle, Crimp Style to suit 2mm Cable
PART NUMBER	:	R 299 794 800
DESCRIPTION	:	PCB Mount Reptacle to suit above

Manufactured by Radiall France
Stocked in Australia by:



61 Aero Road, Ingleburn NSW 2565

Tel : 02 98291555 Fax : 02 96058812
Email : sales@rojone.com.au