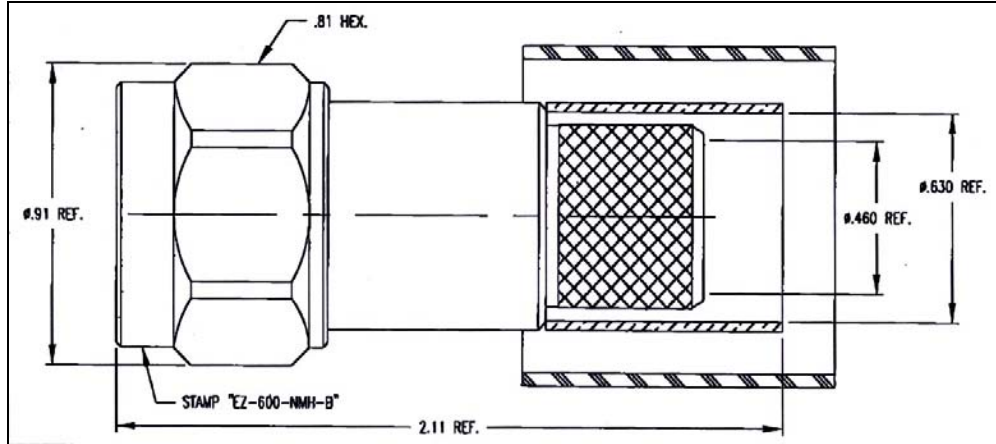


THE REVISION STATUS OF ALL SHEETS OF THIS DRAWING IS THE SAME AS SHEET 1

LTR	DESCRIPTION	DATE	BY
-	Released	9/21/01	JCL



I. MATERIALS & FINISHES

- center contact: Gold (50u")Plated Beryllium Copper
- outer contact: Silver (200 u")Plated Brass
- coupling nut: Silver (200 u")Plated Brass
- body: Silver (200 u")Plated Brass
- crimp sleeve: Silver (200 u")Plated Copper
- dielectric: Teflon® PTFE
- gasket: Silicone Rubber
- shrink sleeve: Adhesive Lined Polyolefin
- attachment: braid crimp (.610"hex)

II. ELECTRICAL PROPERTIES

- impedance: 50 ohms
- working voltage: 1000 vrms (max)
- vswr: 1.2:1 (max) up to 8 GHz
- insertion loss: 0.10 x √Fghz

Unless otherwise specified, dimensions are in inches. Tolerances are applicable when specified.

These drawings and specifications contain proprietary information which is the property of Times Microwave Systems.

Approvals		
Drawn	JCL	9/21/01

TIMES MICROWAVE SYSTEMS
 Wallingford, CT 06492
 (203) 949-8400; (203) 949-8423.Fax
 www.timesmicrowave.com

EZ-600-NMH-B
 Type-N male (plug) – Non-Solder Pin
 for LMR-600 Cable

Size A	CAGE CODE 68999	Drawing No.: 3190-1268
Scale: NA		Rev. (-)
Sheet: 1 of 1		