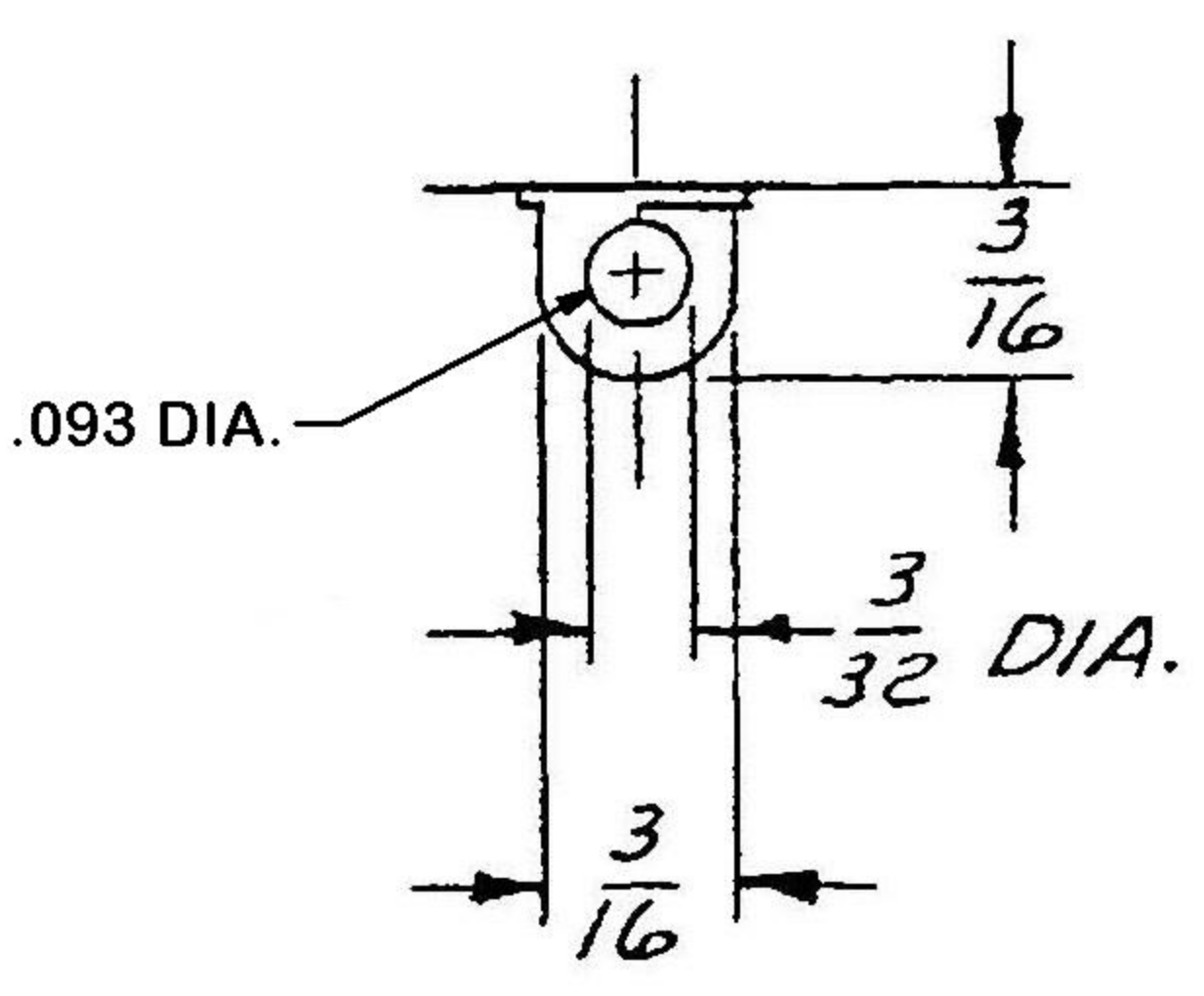
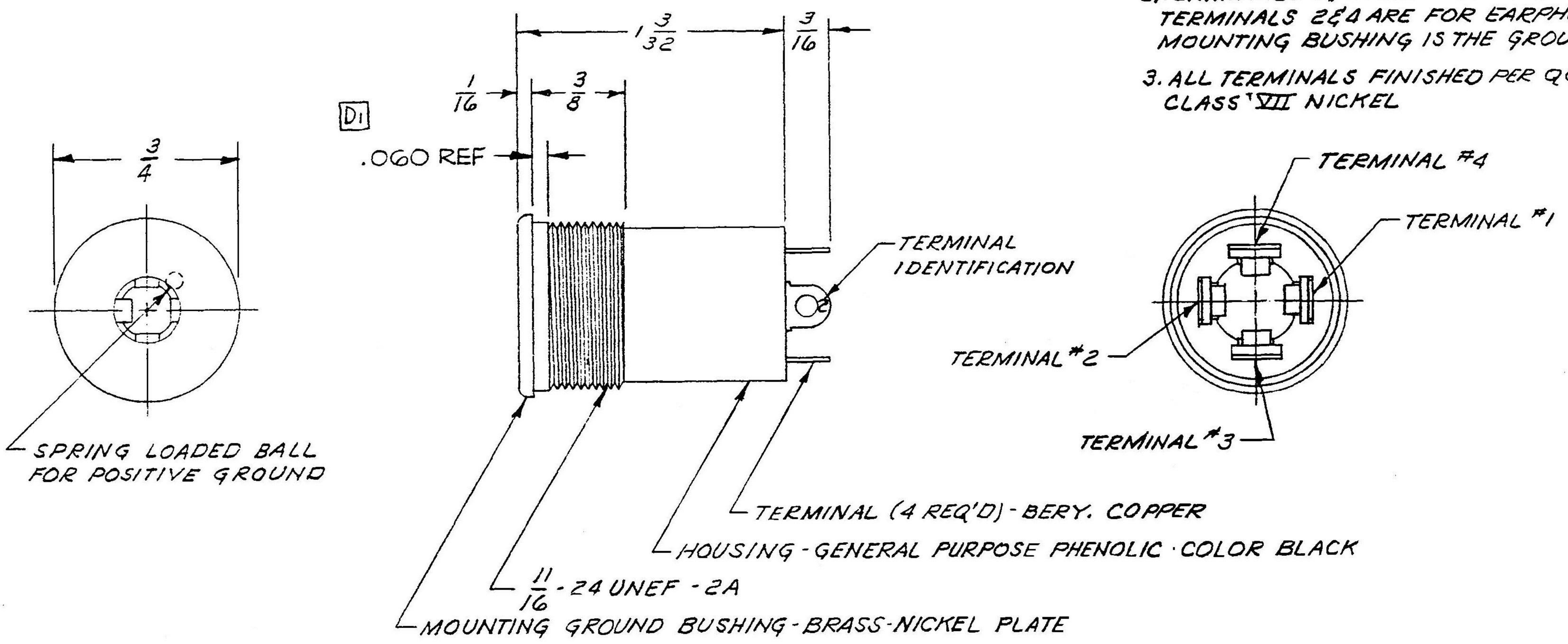


**B TJT-125**

- NOTES:**
1. ASSEMBLY TO MAKE CONTACT WITH TELEPHONE PLUG NEXUS TP-125.
  2. TERMINALS 1 & 3 ARE FOR MICROPHONE CIRCUIT, TERMINALS 2 & 4 ARE FOR EARPHONE CIRCUIT, MOUNTING BUSHING IS THE GROUND
  3. ALL TERMINALS FINISHED PER QQ-N-290 TYPE 1 CLASS VII NICKEL



Australian Representatives  
**ROJONE** PTY LTD.  
 Tel: 02 9829 1555  
 E: sales@rojone.com.au  
 www.rojone.com.au

| LET. | REVISION                             | DATE   | CHK. |
|------|--------------------------------------|--------|------|
| D    | NOTE WAS FULL THREAD TO WITHIN .060" | 2/4/90 |      |
| C    | REDRAWN                              | 9969   |      |

|  |                |  |
|--|----------------|--|
| DWN. BY<br><i>M. Ambro</i>   | DATE<br>9-9-69 | MATERIAL   |
| CHECKED BY   |                | FINISH   |
| APPR. BY   |                | WEIGHT   |
| UNLESS OTHERWISE SPECIFIED<br>DIMENSIONS ARE IN INCHES<br>TOLERANCES ON<br>FRACTIONS DECIMALS ANGLES |                | SCALE <b>2:1</b>                                       |
|  |                | TITLE<br><b>PHONE JACK ASSEMBLY<br/>FIVE CONDUCTOR</b> |
| DO NOT SCALE DWG.  |                | SHEET OF   |
|  |                | <b>NEXUS</b><br>STAMFORD, CONN.                        |
|  |                | SIZE DWG. NO.<br><b>B TJT-125</b>                      |