

B TJ-120

#4-40 UNC-2B
BRASS INSERTS

BODY, PHONE JACK W/ NUTS
GENERAL PURPOSE PHENOLIC
COLOR: BLACK (TJ-120-7)

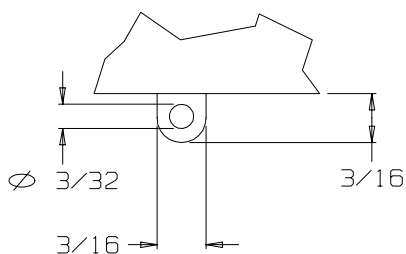
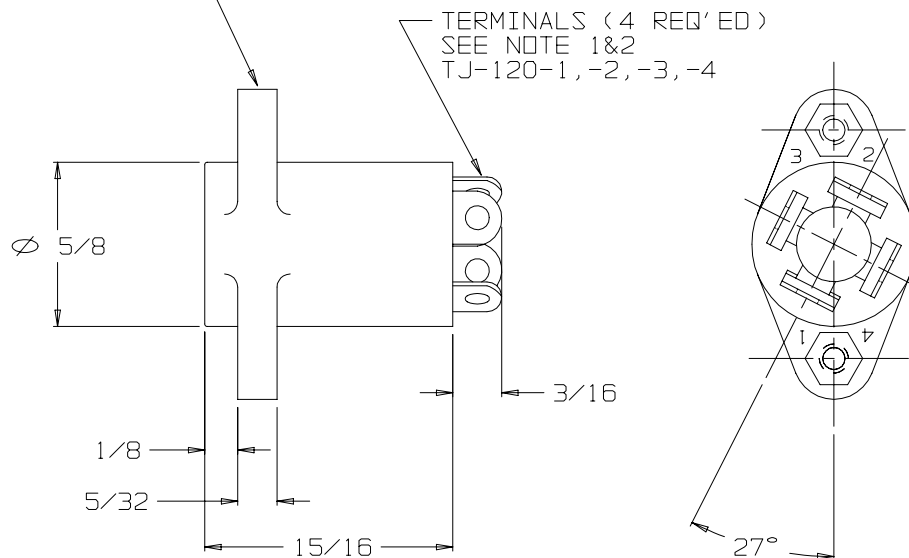
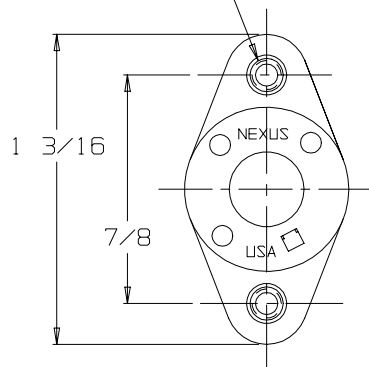
TERMINALS (4 REQ' ED)
SEE NOTE 1&2
TJ-120-1, -2, -3, -4

NOTES:

- 1) TERMINAL 1,2,3&4 TO BE BERYLIUM COPPER.
- 2) ALL TERMINALS FINISHED PER QQ-N-290A, TYPE 1 CLASS VII NICKEL.
- 3) ASSEMBLY TO MAKE CONTACT WITH TELEPHONE PLUGS TYPE U-93A/U, U-174/U & NEXUS TP-120.
- 4) TERMINALS 1 & 3 ARE FOR MICROPHONE CIRCUIT, TERMINALS 2 & 4 ARE FOR EARPHONE CIRCUIT.
- 5) INSERTION FORCE: 13 LBS MAX
WITHDRAWAL FORCE : 5 LBS MIN, 10 LBS MAX.
- 6) ELECTRICAL::

G

- A) DIALECTRIC STRENGTH- 500 VOLTS RMS MIN BETWEEN ANY PAIR OF CONTACTS.
- B) INSULATION RESISTANCE- 100 MEGAOHMS MIN BETWEEN ANY PAIR OF CONTACTS.



TERMINAL DETAIL



Australian Representatives
ROJONE, PTY LTD.

Tel: 02 9829 1555
E: sales@rojone.com.au
www.rojone.com.au

THIS DOCUMENT CONTAINS PROPRIETARY INFORMATION OF NEXUS, INCORPORATED AND SUCH INFORMATION MAY NOT BE DISCLOSED TO OTHERS FOR ANY PURPOSE OR USED FOR ANY PURPOSE WITHOUT THE WRITTEN CONSENT OF NEXUS.

| | | | | | | | |
|---|-----------------|------|----------|-----------------|-------------------|--------------|--------------------------------|
| DWN. BY | EWT | DATE | 11/13/03 | MATERIAL | SEE DRAWING | | |
| CHECKED BY | | DATE | | FINISH | N/A | | |
| APPR. BY | | DATE | | WEIGHT | — | SCALE 2:1 | |
| UNLESS OTHERWISE SPECIFIED DIMENSIONS ARE IN INCHES TOLERANCES ON | | | | TITLE | | | NEXUS STAMFORD, CONN |
| | | | | | | | |
| LET. | REVISION | CN # | DATE | CHK. | DO NOT SCALE DWG. | SHEET 1 OF 1 | SIZE B |
| H | RE-DRAWN ON CAD | 457 | 11/20/03 | EWT | | | DWG. NO. TJ-120 |
| G | ADDED NOTE 5&6 | | 2/15/99 | | | | |
| F | RE-DRAWN | | 8/13/99 | MA | | | |
| | | | | TOLERANCES ON | | | |
| | | | | .XX .XXX ANGLES | | | |
| | | | | — ±.003 ±.5° | | | |