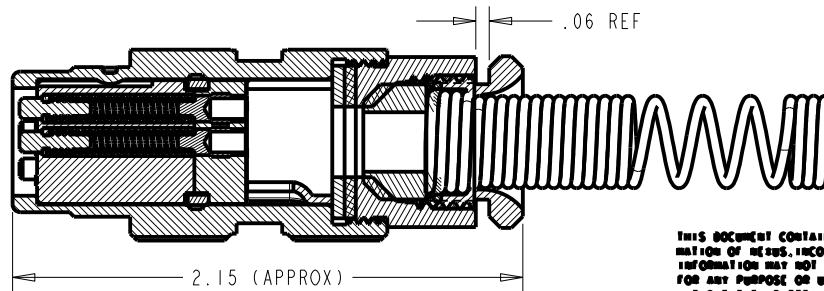
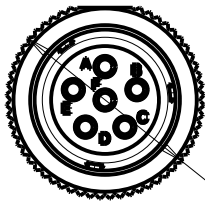
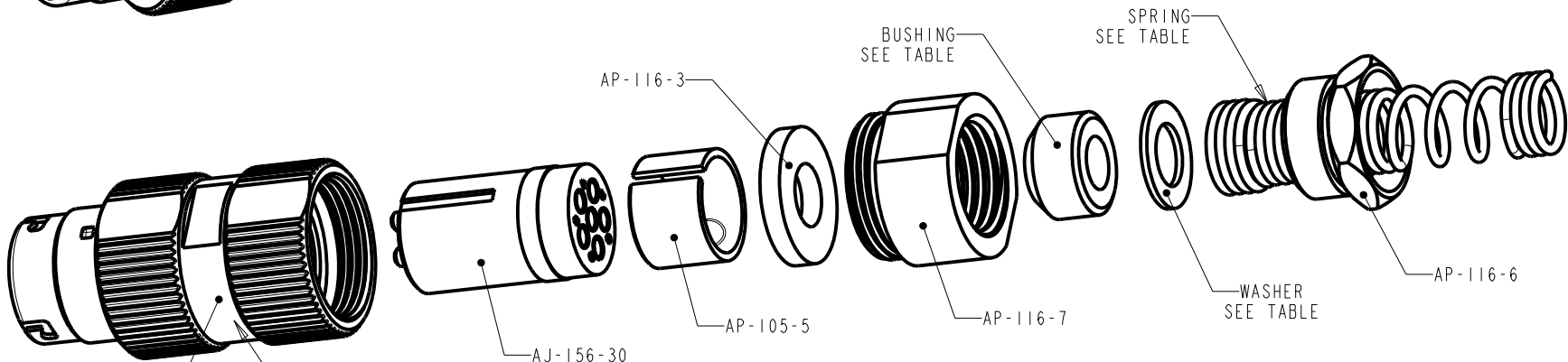
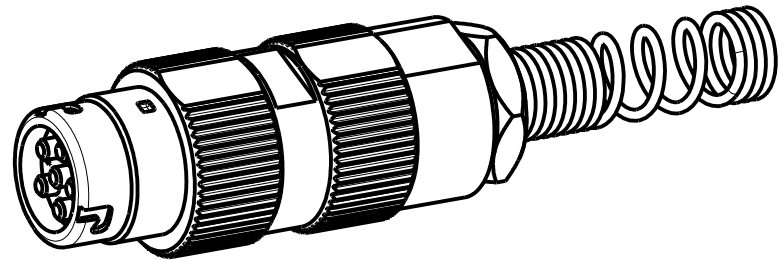


B AJ-156-CP

PART #	MILITARY PART #	CABLE Ø	BUSHING	WASHER	SPRING
AJ-156/12-1	M55116/12-1	.165±.010	AP-116-17	AP-116-2	AP-116-4
AJ-156/12-2	M55116/12-2	.228±.010	AP-116-18	AP-116-2	AP-116-4
AJ-156/12-3	M55116/12-3	.250±.010	AP-116-8	AP-116-2	AP-116-4
AJ-156/12-4	M55116/12-4	.290±.010	AP-116-19	AP-116-2	AP-116-4
AJ-156/12-5	M55116/12-5	.320±.010	AP-116-20	AP-116-22	AP-116-21



THIS DOCUMENT CONTAINS PROPRIETARY INFORMATION OF NEXUS, INCORPORATED AND SUCH INFORMATION MAY NOT BE DISCLOSED TO OTHERS FOR ANY PURPOSE OR USED FOR ANY PURPOSE WITHOUT THE WRITTEN CONSENT OF NEXUS.

- NOTES:
 1. CONNECTORS ARE QUALIFIED TO MIL-DTL-55116.
 2. MARK MILITARY PART IDENTIFYING NO., MANUFACTURERS NAME AND CAGE CODE LOCATED APPROXIMATELY AS SHOWN.

ROJONE
 Australian Representatives
 ROJONE, PTY LTD.
 Tel: 02 9829 1555
 E: sales@rojone.com.au
 www.rojone.com.au

REV.	REVISION	CR #	DATE	COM.
B	ADD P/N TO TABLE	111	8/1 2011	HR
A	ADD NOTES AND TABLE	036	12/15/09	GPH

OWN. BY	DATE	MATERIAL
CHECKED BY	DATE	FINISH
APP. BY	DATE	WEIGHT — SCALE = 2.00 : 1
UNLESS OTHERWISE SPECIFIED DIMENSIONS ARE IN INCHES TOLERANCES ON		TITLE JACK, 6 PIN AUDIO, CRIMP SLEEVE
.XX	.XX	
DO NOT SCALE DWG.		SHEET 1 OF 1

NEXUS
 STAMFORD, CONN
 SIZE B
 DWG. NO.
AJ-156-CP