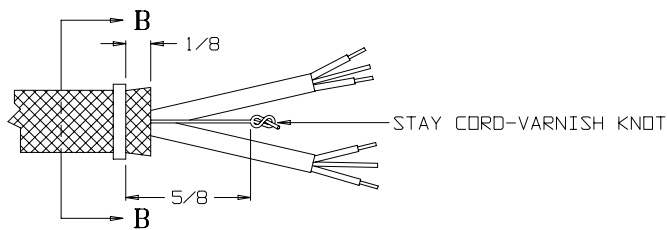
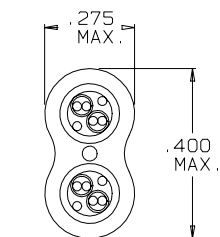
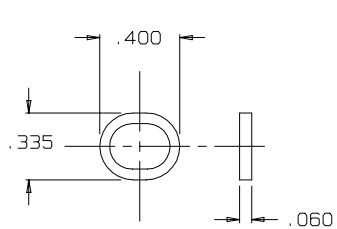
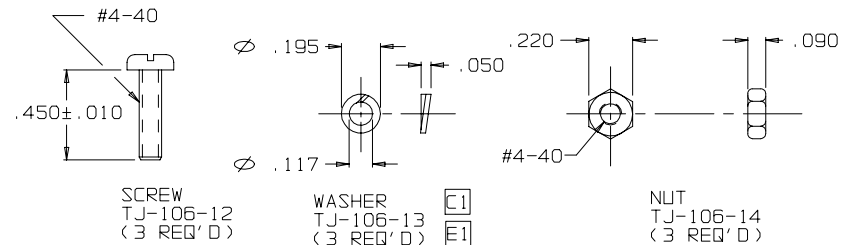
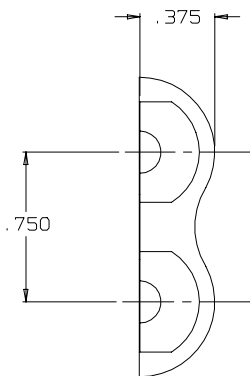
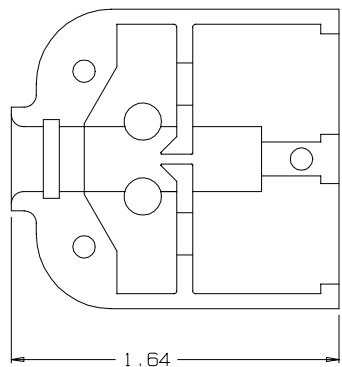
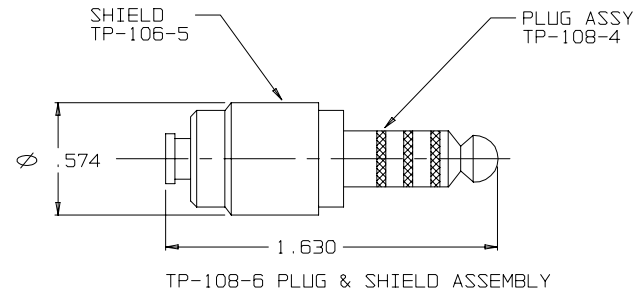
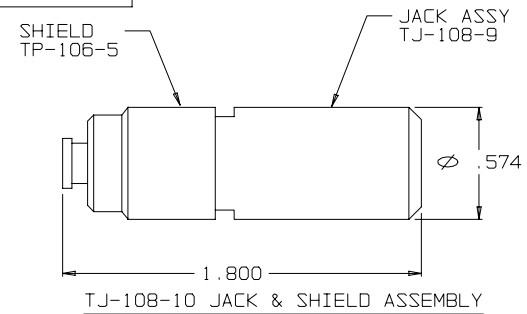
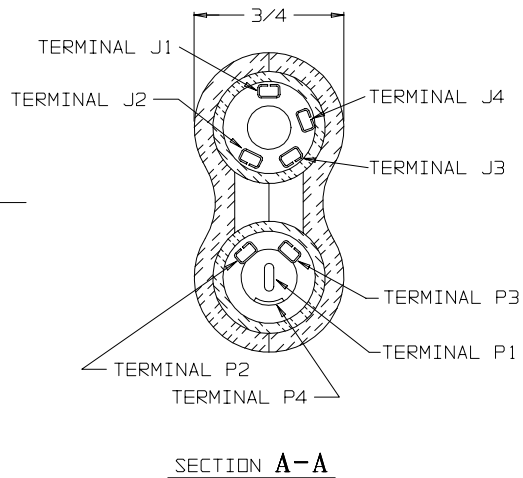
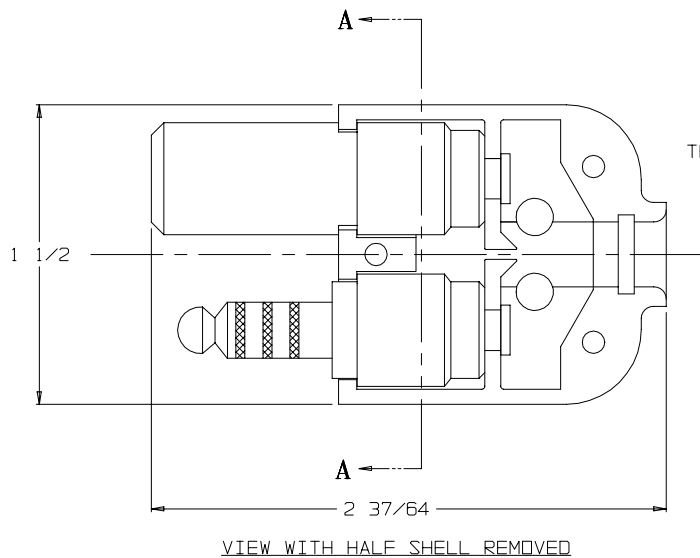


**C TP-108**



- F1** NOTES:  
 1) ALL NICKEL PLATING SHALL BE OF SUFFICIENT THICKNESS TO PROVIDE CORROSION PROTECTION. (REF QQ-N-290-A, CLASS 1)  
 2) WIRING CALL OUTS ARE FOR REF ONLY

THIS DOCUMENT CONTAINS PROPRIETARY INFORMATION OF NEXUS, INCORPORATED AND SUCH INFORMATION MAY NOT BE DISCLOSED TO OTHERS FOR ANY PURPOSE OR USED FOR ANY PURPOSE WITHOUT THE WRITTEN CONSENT OF NEXUS.

RING, STRAIN RELIEF TJ-106-10A (1 REQ'D)

SECTION B-B  
STRAIN RELIEF CLAMP TJ-106-10A AFTER CRIMPING  
SCALE: 4:1

**Australian Representatives**  
**ROJONE, PTY LTD.**  
 Tel: 02 9829 1555  
 E: sales@rojone.com.au  
 www.rojone.com.au

|      |                                    |      |          |      |
|------|------------------------------------|------|----------|------|
| C    | REDRAWN IN CAD CORRECTED ERRORS    | 476  | 2/24/04  | EWT  |
| B    | .395 WAS .400                      | 283  | 12/4/97  |      |
| A    | CORRECTED TO DF OF P3, P4 & P3, P4 | 197  | 10/11/95 | LS   |
| LET. | REVISION                           | CN # | DATE     | CHK. |

|   |         |               |              |   |
|---|---------|---------------|--------------|---|
| DWN. BY   | IDH     | DATE          | MATERIAL     | SEE FIELD OF DRAWING                                    |
| CHECKED BY  | L SMITH | DATE 10/11/95 | FINISH       | N/A   |
| APPR. BY  |         | DATE          | WEIGHT       | SCALE 2:1   |
| UNLESS OTHERWISE SPECIFIED DIMENSIONS ARE IN INCHES TOLERANCES ON FRACTIONS DECIMALS ANGLES |         |               | TITLE        | TP-108<br>PLUG-TELEPHONE-BIAXIAL SHIELDED (8) CONDUCTOR |
| DO NOT SCALE DWG.   |         |               | SHEET 1 OF 1 | SIZE C  |
|   |         |               |              | DWG. NO. TP-108   |

**NEXUS STAMFORD, CONN**  
 TP-108