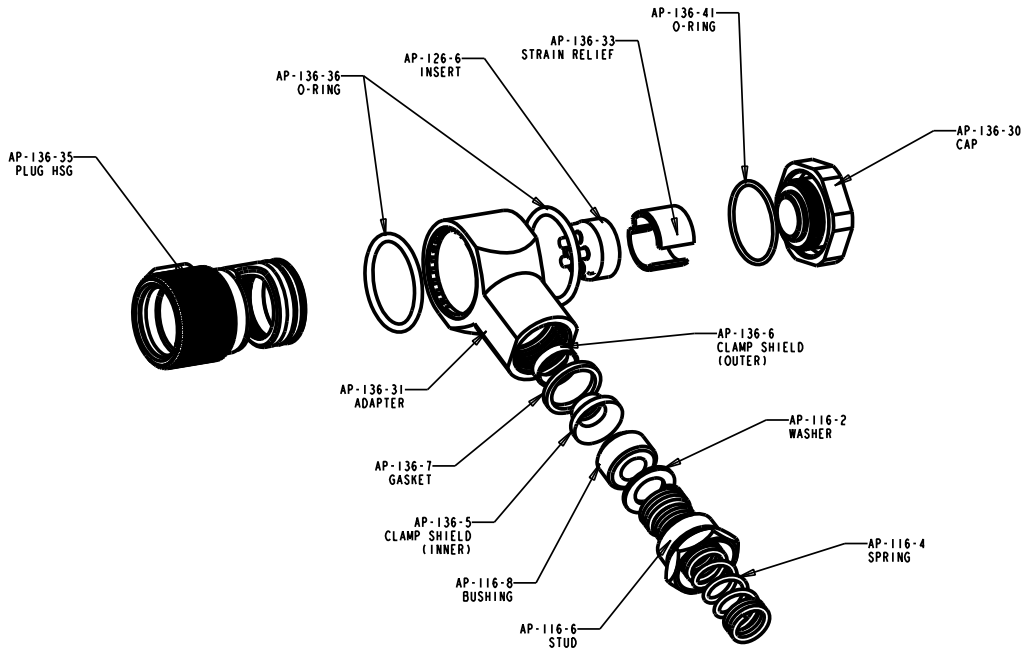
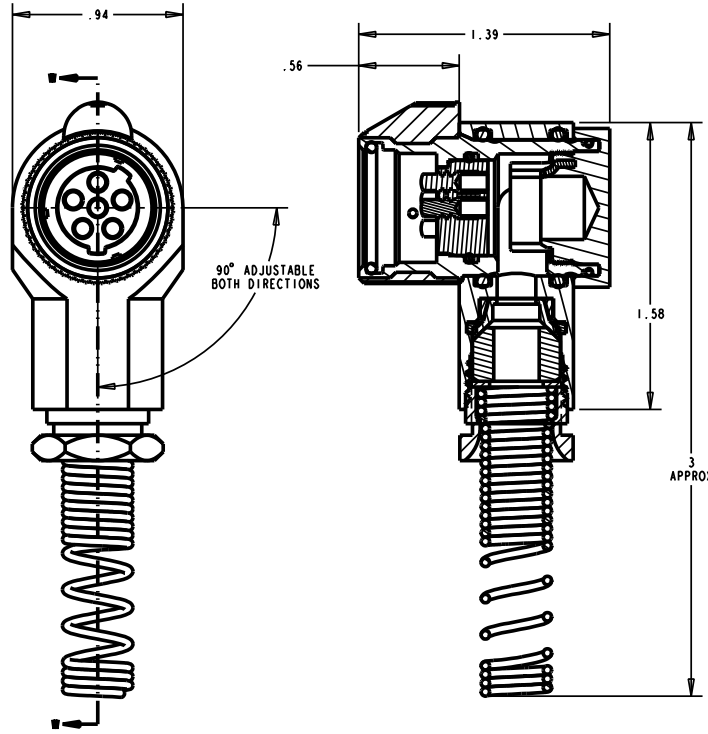


C AP-136RACP

PROPRIETARY - NEXUS
ORDERING PART #: AP-136RA



SECTION W-W

THIS DOCUMENT CONTAINS PROPRIETARY INFORMATION OF NEXUS. INCORPORATED AND SUCH INFORMATION MAY NOT BE DISCLOSED TO OTHERS FOR ANY PURPOSE OR USED FOR ANY PURPOSE WITHOUT THE WRITTEN CONSENT OF NEXUS.

ROJONE
Australian Representatives
ROJONE, PTY LTD.
Tel: 02 9829 1555
E: sales@rojone.com.au
www.rojone.com.au

REV. #	LDE	DATE	MATERIAL
CHECKED BY		DATE	FINISH
APP. BY		DATE	WEIGHT
		SCALE = 1.00 : 1	
TITLE			NEXUS STAMFORD, CONN
AUDIO PLUG - 90° ORDER PART #: AP-136RA			
DO NOT SCALE DIM.			SIZE C
SHEET 1 OF 1			AP-136RACP

G	REVISE PARTS LIST	095	1/28 2011	HR
F	LABEL PARTS WERE A-SIZE		1/1/15 2010	HR
LET.	REVISION	CR #	DATE	CHK