



# A-960

## Broadband/Mobile Antennas

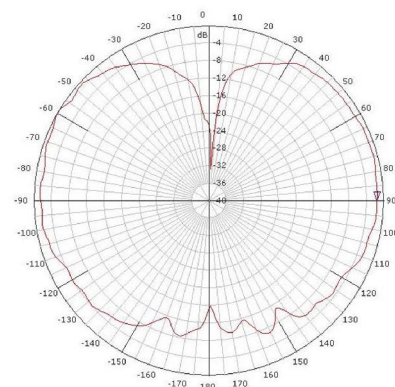
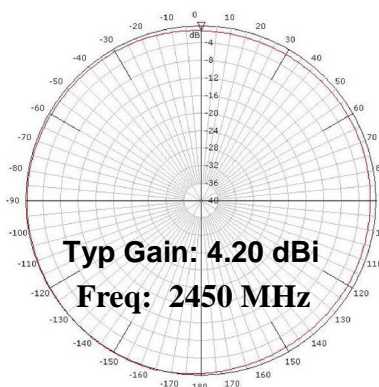
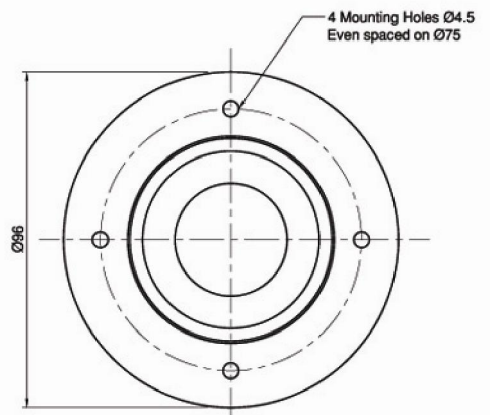
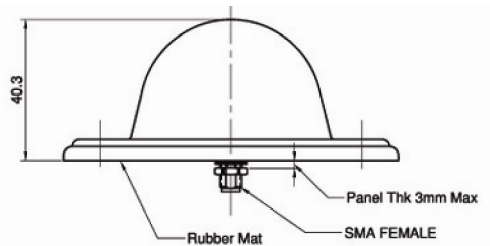


This Omni directional Antenna is designed for Digital Data Mobile Communication Systems, particularly wireless LAN, specifically optimised for 2.45 GHz in both pattern and VSWR. It is capable of operating through to 6.0GHz.

The unit is suitable for both Mobile and Base Station applications with gain measured at better than 4.0 dBi. See associated test plots.

### Specification

Operation frequency	2-6 GHz
RF Gain	4.2 dBi at 2.45GHz
Radiation Pattern	Omni (see patterns)
Polarization	Vertical Linear
3dB Beamwidth Horizontal	360 Deg.
3dB Beamwidth Vertical	40 Deg.
Downtilt	20 Deg.
Impedance	50 ohm
Input VSWR	< 1.2 : 1 at 2.45GHz
Input RF Power	30w max
Operation Temp	-40 to + 80C
Humidity	100%
RF Connector	SMA-F (A-960-17S-X) SMA F Rev (A-960-17J-X)
Size	96 x 41mm (D x H)
Weight	0.1 kg
Radome Material	ABS White (A-960-17S-W) ABS Black (A-960-17S-B)



Rojone Pty Ltd confirms that this product complies with EU Directive 2002/95/EC (RoHS) and contains no prohibited products including lead solders.